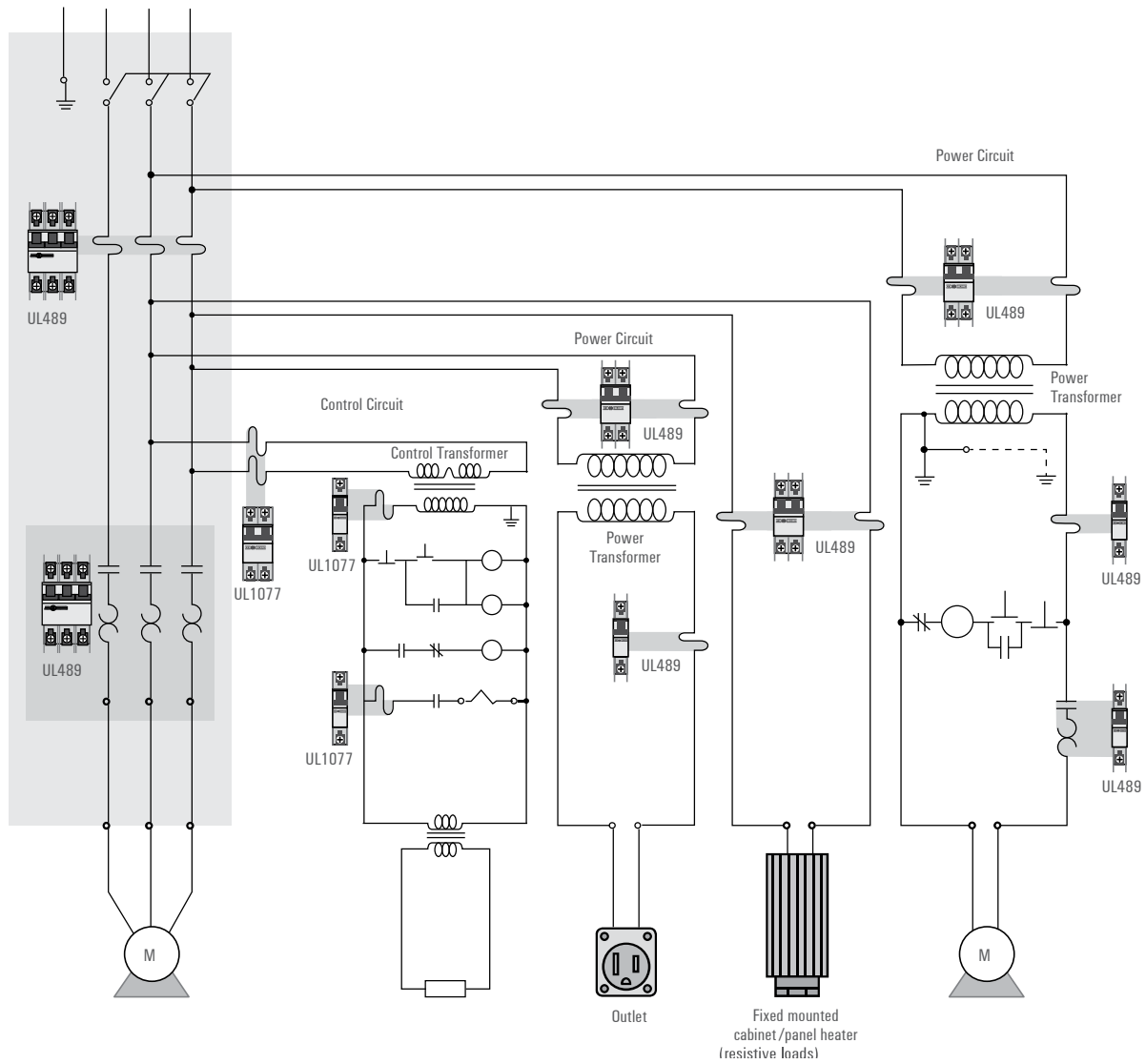


Application Schematic



Sizing of main branch circuit protector according to table 430.52 in NEC®

- **Dual Element (Time Delay) Fuse**
 Maximum fuse = largest motor FLA x 175 %
 + FLA of all other motors and general loads in group
- **Inverse Time Breaker**
 Maximum circuit breaker = largest motor FLA x 250 %
 + FLA of all other motors and general loads in group
 (for other fuse/breaker types see table 430.52)

Branch Circuit Breakers

AC Version, C and D Characteristics

Single Pole - D Curve

Current Ratings (amps)	Part No.	Description	Part No.	Description
0.5	BR1D05AC	Branch / 1P Cct Brkr / D Curve / 0.5A	BR1C05AC	Branch / 1P Cct Brkr / C Curve / 0.5A
1	BR1D1AC	Branch / 1P Cct Brkr / D Curve / 1A	BR1C1AC	Branch / 1P Cct Brkr / C Curve / 1A
2	BR1D2AC	Branch / 1P Cct Brkr / D Curve / 2A	BR1C2AC	Branch / 1P Cct Brkr / C Curve / 2A
3	BR1D3AC	Branch / 1P Cct Brkr / D Curve / 3A	BR1C3AC	Branch / 1P Cct Brkr / C Curve / 3A
5	BR1D5AC	Branch / 1P Cct Brkr / D Curve / 5A	BR1C5AC	Branch / 1P Cct Brkr / C Curve / 5A
10	BR1D10AC	Branch / 1P Cct Brkr / D Curve / 10A	BR1C10AC	Branch / 1P Cct Brkr / C Curve / 10A
15	BR1D15AC	Branch / 1P Cct Brkr / D Curve / 15A	BR1C15AC	Branch / 1P Cct Brkr / C Curve / 15A
20	BR1D20AC	Branch / 1P Cct Brkr / D Curve / 20A	BR1C20AC	Branch / 1P Cct Brkr / C Curve / 20A
25	BR1D25AC	Branch / 1P Cct Brkr / D Curve / 25A	BR1C25AC	Branch / 1P Cct Brkr / C Curve / 25A
30	BR1D30AC	Branch / 1P Cct Brkr / D Curve / 30A	BR1C30AC	Branch / 1P Cct Brkr / C Curve / 30A
40	BR1D40AC	Branch / 1P Cct Brkr / D Curve / 40A	BR1C40AC	Branch / 1P Cct Brkr / C Curve / 40A
50	BR1D50AC	Branch / 1P Cct Brkr / D Curve / 50A	BR1C50AC	Branch / 1P Cct Brkr / C Curve / 50A
60	BR1D60AC	Branch / 1P Cct Brkr / D Curve / 60A	BR1C60AC	Branch / 1P Cct Brkr / C Curve / 60A



Double Pole - D Curve

Current Ratings (amps)	Part No.	Description	Part No.	Description
0.5	BR2D05AC	Branch / 2P Cct Brkr / D Curve / 0.5A	BR2C05AC	Branch / 2P Cct Brkr / C Curve / 0.5A
1	BR2D1AC	Branch / 2P Cct Brkr / D Curve / 1A	BR2C1AC	Branch / 2P Cct Brkr / C Curve / 1A
2	BR2D2AC	Branch / 2P Cct Brkr / D Curve / 2A	BR2C2AC	Branch / 2P Cct Brkr / C Curve / 2A
5	BR2D5AC	Branch / 2P Cct Brkr / D Curve / 5A	BR2C5AC	Branch / 2P Cct Brkr / C Curve / 5A
10	BR2D10AC	Branch / 2P Cct Brkr / D Curve / 10A	BR2C10AC	Branch / 2P Cct Brkr / C Curve / 10A
15	BR2D15AC	Branch / 2P Cct Brkr / D Curve / 15A	BR2C15AC	Branch / 2P Cct Brkr / C Curve / 15A
20	BR2D20AC	Branch / 2P Cct Brkr / D Curve / 20A	BR2C20AC	Branch / 2P Cct Brkr / C Curve / 20A
25	BR2D25AC	Branch / 2P Cct Brkr / D Curve / 25A	BR2C25AC	Branch / 2P Cct Brkr / C Curve / 25A
30	BR2D30AC	Branch / 2P Cct Brkr / D Curve / 30A	BR2C30AC	Branch / 2P Cct Brkr / C Curve / 30A
40	BR2D40AC	Branch / 2P Cct Brkr / D Curve / 40A	BR2C40AC	Branch / 2P Cct Brkr / C Curve / 40A
50	BR2D50AC	Branch / 2P Cct Brkr / D Curve / 50A	BR2C50AC	Branch / 2P Cct Brkr / C Curve / 50A
60	BR2D60AC	Branch / 2P Cct Brkr / D Curve / 60A	BR2C60AC	Branch / 2P Cct Brkr / C Curve / 60A



Triple Pole - D Curve

Current Ratings (amps)	Part No.	Description	Part No.	Description
1	BR3D1AC	Branch / 3P Cct Brkr / D Curve / 1A	BR3C1AC	Branch / 3P Cct Brkr / C Curve / 1A
2	BR3D2AC	Branch / 3P Cct Brkr / D Curve / 2A	BR3C2AC	Branch / 3P Cct Brkr / C Curve / 2A
5	BR3D5AC	Branch / 3P Cct Brkr / D Curve / 5A	BR3C5AC	Branch / 3P Cct Brkr / C Curve / 5A
10	BR3D10AC	Branch / 3P Cct Brkr / D Curve / 10A	BR3C10AC	Branch / 3P Cct Brkr / C Curve / 10A
15	BR3D15AC	Branch / 3P Cct Brkr / D Curve / 15A	BR3C15AC	Branch / 3P Cct Brkr / C Curve / 15A
20	BR3D20AC	Branch / 3P Cct Brkr / D Curve / 20A	BR3C20AC	Branch / 3P Cct Brkr / C Curve / 20A
25	BR3D25AC	Branch / 3P Cct Brkr / D Curve / 25A	BR3C25AC	Branch / 3P Cct Brkr / C Curve / 25A
30	BR3D30AC	Branch / 3P Cct Brkr / D Curve / 30A	BR3C30AC	Branch / 3P Cct Brkr / C Curve / 30A
40	BR3D40AC	Branch / 3P Cct Brkr / D Curve / 40A	BR3C40AC	Branch / 3P Cct Brkr / C Curve / 40A
50	BR3D50AC	Branch / 3P Cct Brkr / D Curve / 50A	BR3C50AC	Branch / 3P Cct Brkr / C Curve / 50A
60	BR3D60AC	Branch / 3P Cct Brkr / D Curve / 60A	BR3C60AC	Branch / 3P Cct Brkr / C Curve / 60A

