

**Industrial Ethernet  
IE-TO-RJ45-C**

**Weidmüller Interface GmbH & Co. KG**  
Klingenbergstraße 16  
D-32758 Detmold  
Germany  
Fon: +49 5231 14-0  
Fax: +49 5231 14-292083  
www.weidmueller.com



Mounting rail outlet, RJ45 junction design according to IEC 60603-7-51

**General ordering data**

Order No.	<a href="#">8946920000</a>
Type	IE-TO-RJ45-C
Version	Mounting rail outlet, RJ45, Coupling, IP 20
GTIN (EAN)	4032248734801
Qty.	10 pc(s).

## Industrial Ethernet IE-T0-RJ45-C

**Weidmüller Interface GmbH & Co. KG**  
 Klingenbergstraße 16  
 D-32758 Detmold  
 Germany  
 Fon: +49 5231 14-0  
 Fax: +49 5231 14-292083  
 www.weidmueller.com

## Technical data

### Dimensions and weights

Net weight 52.1 g

### Temperatures

Operating temperature -25 °C...+70 °C      Storage temperature  
 Installation temperature

### Downloads

Attestation of conformity ISO/IEC EN & TIA/EIA Screened Class E Category 6, 3 connector permanent link	ac107534.pdf	Attestation of conformity ISO/IEC EN & TIA/EIA Screened Class E Category 6, 4 connector channel	ac107533.pdf
Attestation of conformity ISO/IEC EN & TIA/EIA Screened Class EA Category 6A, 2 connector channel	ac107535.pdf	Attestation of conformity ISO/IEC EN & TIA/EIA Screened Class EA Category 6A, 4 connector channel	z1755b-07-D.pdf
PROFINET Manufacturer's Declaration	PN Manufacturer Declaration.pdf		

### General data

Category	Cat.6 <sub>A</sub> / Class E <sub>A</sub> (ISO/IEC 11801 2010)	Colour	Light Grey
Configuration	Switchable voltage connection from module / coupling to mounting rail	Connection 1	RJ45
Connection 2	RJ45	Contact material	Spring steel, Ni 1.2 µm
Contact surface	Au ≥ 0.8 µm	Housing main material	PA UL 94 V0
Humidity	0...93 % rel. humidity	Plugging cycles	750
Protection degree	IP 20	Shock resistance acc. to IEC 60512-4	250 ms <sup>-2</sup>
Type of mounting	TS 35	Vibration resistance acc. to IEC 60512-4	50 ms <sup>-2</sup> sinusoidal (9 - 500 Hz)
Wiring	Coupling		

### Electrical properties

Contact resistance	≤ 20 mΩ	Current-carrying capacity at 50 °C	1 A
Dielectric strength, contact / contact	≥ 1000 V DC	Dielectric strength, contact / shield	≥ 1500 V DC
Insulation resistance	500 MΩ	PoE / PoE+	conforming to IEEE 802.3af

### Standards

Connector standard IEC 60603-7-51

### Classifications

ETIM 3.0	EC000018	UNSPSC	30-21-18-01
eClass 6.0	27-25-05-04	eClass 7.0	27-25-05-04

**Data sheet...**

**Industrial Ethernet  
IE-TO-RJ45-C**

**Weidmüller Interface GmbH & Co. KG**  
Klingenbergstraße 16  
D-32758 Detmold  
Germany  
Fon: +49 5231 14-0  
Fax: +49 5231 14-292083  
[www.weidmueller.com](http://www.weidmueller.com)

**Technical data**

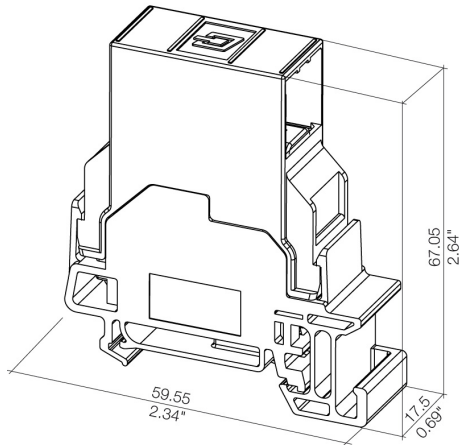
**Approvals**

Approvals



**Industrial Ethernet  
IE-TO-RJ45-C**

**Weidmüller Interface GmbH & Co. KG**  
Klingenbergstraße 16  
D-32758 Detmold  
Germany  
Fon: +49 5231 14-0  
Fax: +49 5231 14-292083  
www.weidmueller.com

**Drawings****Dimensioned drawing****Drawing**