

## PLUGSERIES PRZ 24Vdc LD 2CO

**Weidmüller Interface GmbH & Co. KG**  
Klingenbergstraße 16  
D-32758 Detmold  
Germany  
Fon: +49 5231 14-0  
Fax: +49 5231 14-292083  
www.weidmueller.com



High power/currents can be safely switched with the PLUGSERIES. The modular system enables conventional relays and LED indicators simply to be plugged in. Retaining and disassembly clips provide a secure mount. Pre-assembled relays with 1 or 2 changeover contacts and input voltages from 24V to 230V round of the product range. Plug-in ZQV 2.5 cross-connectors enable relay multiplexers to be set up quickly thanks to simple side-by-side mounting.

### General ordering data

Order No.	<a href="#">8530701001</a>
Type	PRZ 24Vdc LD 2CO
Version	PLUGSERIES, Relays, No. of contacts: 2, CO contact, AgNi 90/10, Rated control voltage: 24 V DC $\pm 10\%$ , Continuous current: 8 A, Tension clamp connection
GTIN (EAN)	4032248216048
Qty.	10 pc(s).

**PLUGSERIES**  
**PRZ 24Vdc LD 2CO**

**Weidmüller Interface GmbH & Co. KG**  
 Klingenbergstraße 16  
 D-32758 Detmold  
 Germany  
 Fon: +49 5231 14-0  
 Fax: +49 5231 14-292083  
 www.weidmueller.com

**Technical data**
**Ratings**

Conductor connection system	Tension clamp connection	Humidity	40 °C / 93 % rel. humidity, no condensation
UL 94 flammability rating	V-0	Wire cross-section, solid, max.	2.5 mm <sup>2</sup>

**Dimensions and weights**

Width	15.3 mm	Height	92 mm
Depth	87.5 mm	Net weight	60.2 g

**Temperatures**

Operating temperature	-40 °C...+50 °C	Storage temperature	-40 °C...+85 °C
-----------------------	-----------------	---------------------	-----------------

**Connection data**

Clamping range, rated connection	2.5 mm <sup>2</sup>	Clamping range, rated connection, min.	0.5 mm <sup>2</sup>
Clamping range, rated connection, max.	2.5 mm <sup>2</sup>	Stripping length, rated connection	10 mm
Wire connection cross section, finely stranded, max.	2.5 mm <sup>2</sup>		

**Input**

Rated control voltage	24 V DC ±10 %	Rated current DC	20 mA
Coil resistance	1,440 Ω ±10 %	Power rating	400 mW
Pull-in (sparkover) / drop-out voltage DC coil	16.8 V / 2.4 V	Status indicator	Green LED

**Output**

Rated switching voltage	250 V AC	Max. switching voltage, AC	400 V
Continuous current	8 A	making current	15 A / 4 s
Max. switching power	2000 VA	Response time	8 ms / 6 ms
Min. switching power	100 mA / 5 V, 10 V / 10 mA, 24 V / 1 mA	Max. switching frequency at rated load	0.1 Hz

**Contact specifications**

No. of contacts	2	Contact design	CO contact
Contact material	AgNi 90/10	Mechanical service life	30 x 10 <sup>6</sup> switching cycles

**Insulation coordination**

Rated voltage	300 V AC <sub>eff</sub>	Clearance and creepage distances for control side - load side	> 8 mm
Impulse withstand voltage	6 kV (1.2/50 μs)	Protection degree	IP 20
Pollution severity	2	Surge voltage category	III

**Other technical data**

Version	Relay coupler	Status indicator	Green LED
Free-wheel diode	No	Reverse polarity protection	No

**Further details of approvals / standards**

Standards	DIN EN 50178
-----------	--------------

Creation date April 5, 2013 5:13:33 PM CEST

**PLUGSERIES  
PRZ 24Vdc LD 2CO**

**Weidmüller Interface GmbH & Co. KG**  
Klingenbergstraße 16  
D-32758 Detmold  
Germany  
Fon: +49 5231 14-0  
Fax: +49 5231 14-292083  
www.weidmueller.com

**Technical data****Classifications**

ETIM 2.0	EC001437	ETIM 3.0	EC001437
UNSPSC	30-21-19-17	eClass 4.1	40-02-06-14
eClass 5.1	27-37-16-01	eClass 6.0	27-37-16-01
eClass 7.0	27-37-16-01		

**Approvals**

Approvals

**Downloads**

Declaration of Conformity [K217\\_09\\_09.pdf](#)  
[3-D model](#)

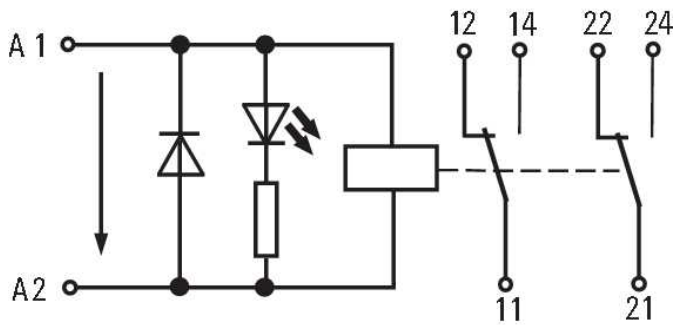
**PLUGSERIES  
PRZ 24Vdc LD 2CO**

**Weidmüller Interface GmbH & Co. KG**  
 Klingenbergstraße 16  
 D-32758 Detmold  
 Germany  
 Fon: +49 5231 14-0  
 Fax: +49 5231 14-292083  
 www.weidmueller.com

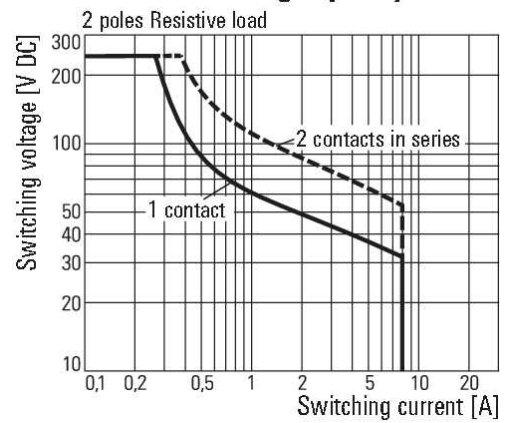
**Drawings**

**Electric symbol**

**DC-Version**



**DC load breaking capacity**



**Electrical endurance**

