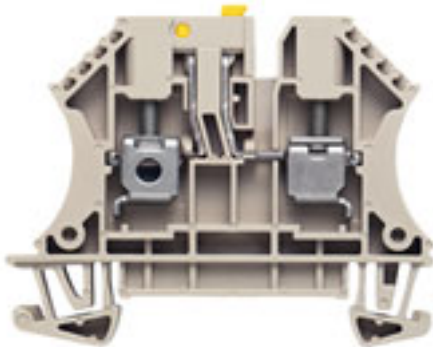


**W-series terminal with clamping yoke connection
WTR 4**

Weidmüller Interface GmbH & Co. KG
Klingenbergstraße 16
D-32758 Detmold
Germany
Fon: +49 5231 14-0
Fax: +49 5231 14-2083
www.weidmueller.com



The versatile and extensive range of products - from 0.05 mm² to 300 mm² - means that you have diverse options for your applications at your disposal.

Hardened steel for mechanical strength and high-quality tinned copper for optimum conductivity. All materials comply with RoHS requirements and have been tested to current environment guidelines.

General ordering data

Order No.	7910180000
Type	WTR 4
Version	W-series terminal with clamping yoke connection, Test-disconnect terminal, Rated cross-section: 4 mm ² , Screw connection
GTIN (EAN)	4008190576882
Qty.	50 pc(s).

W-series terminal with clamping yoke connection WTR 4

Weidmüller Interface GmbH & Co. KG
Klingenbergstraße 16
D-32758 Detmold
Germany
Fon: +49 5231 14-0
Fax: +49 5231 14-2083
www.weidmueller.com

Technical data

Dimensions

Length	60 mm	Width	6.1 mm
Height	48 mm	Height of lowest version	49 mm

Temperatures

Operating temperature	Storage temperature
-----------------------	---------------------

2 clampable wires (H05V/H07V) same cross-section (rated connection)

Wire connection cross section, finely stranded, two clampable wires, min.	0.5 mm ²	Wire cross-section, finely stranded, two clampable wires, max.	1.5 mm ²
Wire connection cross section, finely stranded with wire-end ferrules DIN 46228/1, 2 clampable wires, min.	0.5 mm ²	Wire connection cross section, finely stranded with wire-end ferrules DIN 46228/1, 2 clampable wires, max.	1.5 mm ²

Additional technical data

Explosion-tested version	No	Number of similar terminals	1
Open sides	right	Type of mounting	Snap-on

CSA ratings data

Certificate No. (CSA)	200039-1057876	Voltage size C (CSA)	300 V
Current size C (CSA)	10 A	Wire cross section max. (CSA)	10 AWG
Wire cross section min. (CSA)	22 AWG		

Clampable wires (additional connection)

Conductor cross-section, flexible plus plastic collar DIN 46228/1, further connection, min.	0.5 mm ²	Conductor cross-section, flexible plus plastic collar DIN 46228/1, further connection, max.	4 mm ²
---	---------------------	---	-------------------

Clampable wires (rated connection)

Type of connection	Screw connection	Stripping length	13 mm
Blade size	0.6 x 3.5 mm	Connection direction	on side
Number of connections	2	Clamping range, rated connection, min.	0.22 mm ²
Clamping range, rated connection, max.	6 mm ²	Clamping screw	M 3
Tightening torque, min.	0.5 Nm	Tightening torque, max.	1 Nm
Torque level with DMS electric screwdriver	2	Gauge to IEC 60947-1	A4
Wire connection cross section, solid core, max. rated connection	0.5 mm ²	Wire connection cross section, solid core max. rated connection	6 mm ²
Wire connection cross section, stranded, rated connection, min.	1.5 mm ²	Wire connection cross section, stranded, rated connection, max.	4 mm ²
Wire connection cross section, finely stranded, max.	4 mm ²	Wire connection cross-section, finely stranded, min.	0.5 mm ²
Wire connection cross section, finely stranded with wire-end ferrules DIN 46228/1, rated connection, min.	0.5 mm ²	Wire connection cross section, finely stranded with wire-end ferrules DIN 46228/1, rated connection, max.	4 mm ²
Cross-section for connected conductor, finely stranded with wire-end ferrules and plastic collars DIN 46228/4, rated connection, min.	0.5 mm ²	Wire connection cross-section, finely stranded with wire-end ferrules and plastic collars DIN 46228/4, rated connection, max.	4 mm ²
Wire connection cross section AWG, min.	AWG 22	Wire connection cross section AWG, max.	AWG 10

W-series terminal with clamping yoke connection WTR 4

Weidmüller Interface GmbH & Co. KG
Klingenbergstraße 16
D-32758 Detmold
Germany
Fon: +49 5231 14-0
Fax: +49 5231 14-2083
www.weidmueller.com

Technical data

Rated data

Rated cross-section	4 mm ²	Rated voltage	400 V
Rated impulse withstand voltage	6 kV	Rated current	32 A
Current at maximum wires	32 A	Standards	IEC 60947-7-1
Pollution severity	3		

UL ratings data

Certificate No. (UR)	E60693VOL1SEC38	Voltage size D (UR)	300 V
Current size D (UR)	10 A	Conductor size Factory wiring max. (UR)	10 AWG
Conductor size Factory wiring min. (UR)	22 AWG	Conductor size Field wiring max. (UR)	10 AWG

Material data

Material	Wemid	Colour	dark beige
Flammability class UL 94	V-0		

System specifications

Product family	W-series terminal with clamping yoke connection	Type of connection	Screw connection
Connection direction	on side	Number of levels	1
Number of connections	2	No. of clamping points per level	2
Levels cross-connected internally	No	Mounting rail	TS 35
End cover plate required	Yes		

Disconnect terminals

Cross-disconnect	without	Integral test socket	No
Slitting	without	Tightening torque, max.	1 Nm
Tightening torque, min.	0.5 Nm	Torque level with DMS electric screwdriver	2

Classifications

ETIM 2.0	EC000902	ETIM 3.0	EC000902
ETIM 4.0	EC000902	UNSPSC	30-21-18-11
eClass 4.1	27-14-11-17	eClass 5.1	27-14-11-26
eClass 6.0	27-14-11-26		

**W-series terminal with clamping yoke connection
WTR 4**

Weidmüller Interface GmbH & Co. KG
Klingenbergstraße 16
D-32758 Detmold
Germany
Fon: +49 5231 14-0
Fax: +49 5231 14-2083
www.weidmueller.com

Technical data**Approvals**

Approvals

**Downloads**

STEP [7910180000_31505_WTR4_STP.stp](#)

Data sheet...

**W-series terminal with clamping yoke connection
WTR 4**

Weidmüller Interface GmbH & Co. KG
Klingenbergstraße 16
D-32758 Detmold
Germany
Fon: +49 5231 14-0
Fax: +49 5231 14-2083
www.weidmueller.com

Drawings

