

WPDB Power Distribution Blocks



Now you can manage multiple load connections and a wide range of wire sizes with Weidmüller's Power Distribution blocks. By using the best materials and the best technology, Weidmüller provides the safest and most innovative connections available in a wide area of industrial applications, including; machinery, material handling, building/installation and power conditioning.

These DIN-rail mountable blocks combine installed cost savings over traditional methods, high short-circuit protection, and application flexibility. Weidmüller's Power Distribution Blocks deliver power and performance – without compromising safety requirements.

- Space-saving design
- For use with a wide range of wire sizes
- SCCR rated* (UL 508-A, 100kA)
- IEC finger-safe design
- IP20 class protection
- For DIN-rail or direct mounting

* when used with fuses

Canada

Weidmüller, Canada
10 Spy Court
Markham, Ontario L3R 5H6
Telephone: (800) 268-4080
Facsimile: (905) 475-2798
Email: info1@weidmuller.ca
Website: www.weidmuller.ca

Mexico

Weidmüller, Mexico
Blvd. Hermanos Serdán 698
Col. San Rafael Oriente
Puebla, Puebla, Mexico
C.P. 72029
Telephone: 01 222 2686267
Facsimile: 01 222 2686219
Email: clientes@weidmuller.com.mx
Website: www.weidmuller.com.mx

United States

Weidmüller
821 Southlake Blvd.
Richmond, Virginia 23236
Telephone: (800) 849-9343
Facsimile: (804) 379-2593
Email: info@weidmuller.com
Website: www.weidmuller.com

Weidmüller 

WPDB 70 1-1
WPDB 70 1-1 AL



WPDB 70/35 1-4
WPDB 70/35 1-4 AL



WPDB 185 1-1
WPDB 185 1-1 AL



Type	Part No.
WPDB 70 1-1	1879470000
WPDB 70 1-1 AL	1879460000

Technical Data	
Housing material	PA 66/6
Flammability class	UL 94 V0
Conductor	WPDB 70 1-1: Copper (75°C Cu wire only) WPDB 70 1-1 AL: Aluminum (90°C Cu/Al wire)
Contact material	WPDB 70 1-1: Copper WPDB 70 1-1 AL: Aluminum
Contact plating	Zinc

Current Rating	
UL/CSA*	175 A at 600 V

Line	
Wire gauge, kcmil/AWG	2/0...#14
Wire gauge, mm ²	70...2.5
Number of poles	1

Load	
Wire gauge, kcmil/AWG	2/0...#14
Wire gauge, mm ²	70...2.5
Number of poles	1

Operating Specifications	
Maximum temperature	100°C
Operating range	-10°C...+60°C
Storage temperature	-25°C...+60°C

Accessories	
SK WSD-S (1.5-10 mm 9 piece set, Allen head screwdrivers)	9008850000
SST WPDB (Accessory pin for fixing multi-pole block assemblies)	1879490000
WEW 35/3 (Pair of end brackets)	1879390000
VK WPDB 1 (Cap for spare 2/0 line connections)	1879370000
VK WPDB 2 (Cap for spare 350 kcmil line connections)	1879380000

Marking Tags	
KSW Strips, blank**	1629970000

*Based on NEC table 310-16 for 75°C copper wire
**Pre-printed strips standard with product. Custom strips also available.

Type	Part No.
WPDB 70/35 1-4	1879360000
WPDB 70/35 1-4 AL	1879480000

Technical Data	
Housing material	PA 66/6
Flammability class	UL 94 V0
Conductor	WPDB 70/35 1-4: Copper (75°C Cu wire only) WPDB 70/35 1-4 AL: Aluminum (90°C Cu/Al wire)
Contact material	WPDB 70/35 1-4: Copper WPDB 70/35 1-4 AL: Aluminum
Contact plating	Zinc

Current Rating	
UL/CSA*	175 A at 600 V

Line	
Wire gauge, kcmil/AWG	2/0...#14
Wire gauge, mm ²	70...2.5
Number of poles	1

Load	
Wire gauge, kcmil/AWG	#2...#14
Wire gauge, mm ²	35...2.5
Number of poles	4

Operating Specifications	
Maximum temperature	100°C
Operating range	-10°C...+60°C
Storage temperature	-25°C...+60°C

Accessories	
SK WSD-S (1.5-10 mm 9 piece set, Allen head screwdrivers)	9008850000
SST WPDB (Accessory pin for fixing multi-pole block assemblies)	1879490000
WEW 35/3 (Pair of end brackets)	1879390000
VK WPDB 1 (Cap for spare 2/0 line connections)	1879370000
VK WPDB 2 (Cap for spare 350 kcmil line connections)	1879380000

Marking Tags	
KSW Strips, blank**	1629970000

*Based on NEC table 310-16 for 75°C copper wire
**Pre-printed strips standard with product. Custom strips also available.

Type	Part No.
WPDB 185 1-1	1879410000
WPDB 185 1-1 AL	1879400000

Technical Data	
Housing material	PA 66/6
Flammability class	UL 94 V0
Conductor	WPDB 185 1-1: Copper (75°C Cu wire only) WPDB 185 1-1 AL: Aluminum (90°C Cu/Al wire)
Contact material	WPDB 185 1-1: Copper WPDB 185 1-1 AL: Aluminum
Contact plating	Zinc

Current Rating	
UL/CSA*	335 A at 600 V

Line	
Wire , kcmil/AWG	400...#6
Wire gauge, mm ²	185...16
Number of poles	1

Load	
Wire gauge, kcmil/AWG	400...#6
Wire gauge, mm ²	185...16
Number of poles	1

Operating Specifications	
Maximum temperature	100°C
Operating range	-10°C...+60°C
Storage temperature	-25°C...+60°C

Accessories	
SK WSD-S (1.5-10 mm 9 piece set, Allen head screwdrivers)	9008850000
SST WPDB (Accessory pin for fixing multi-pole block assemblies)	1879490000
WEW 35/3 (Pair of end brackets)	1879390000
VK WPDB 1 (Cap for spare 2/0 line connections)	1879370000
VK WPDB 2 (Cap for spare 350 kcmil line connections)	1879380000

Marking Tags	
KSW Strips, blank**	1629970000

*Based on NEC table 310-16 for 75°C copper wire
**Pre-printed strips standard with product. Custom strips also available.

WPDB 185/35 1-8
WPDB 185/35 1-8 AL



WPDB 300 2-2
WPDB 300 2-2 AL



WPDB 16/6 3/4



Type	Part No.
WPDB 185/35 1-8	1879430000
WPDB 185/35 1-8 AL	1879420000

Technical Data	
Housing material	PA 66/6
Flammability class	UL 94 V0
Conductor	WPDB 185/35 1-8: Copper (75°C Cu wire only) WPDB 185/35 1-8 AL: Aluminum (90°C Cu/Al wire)
Contact material	WPDB 185/35 1-8: Copper WPDB 185/35 1-8 AL: Aluminum
Contact plating	Zinc

Current Rating	
UL/CSA*	310 A at 600 V

Line	
Wire gauge, kcmil/AWG	350...#6 / 2/0...#14
Wire gauge, mm ²	185...16 / 70...2.5
Number of poles	1

Load	
Wire gauge, kcmil/AWG	#2...#14
Wire gauge, mm ²	35...2.5
Number of poles	8

Operating Specifications	
Maximum temperature	100°C
Operating range	-10°C...+60°C
Storage temperature	-25°C...+60°C

Accessories	
SK WSD-S (1.5-10 mm 9 piece set, Allen head screwdrivers)	9008850000
SST WPDB (Accessory pin for fixing multi-pole block assemblies)	1879490000
WEW 35/3 (Pair of end brackets)	1879390000
VK WPDB 1 (Cap for spare 2/0 line connections)	1879370000
VK WPDB 2 (Cap for spare 350 kcmil line connections)	1879380000

Marking Tags	
KSW Strips, blank**	1629970000

Type	Part No.
WPDB 300 2-2	1879450000
WPDB 300 2-2 AL	1879440000

Technical Data	
Housing material	PA 66/6
Flammability class	UL 94 V0
Conductor	WPDB 300 2-2: Copper (75°C Cu wire only) WPDB 300 2-2 AL: Aluminum (90°C Cu/Al wire)
Contact material	WPDB 300 2-2: Copper WPDB 300 2-2 AL: Aluminum
Contact plating	Zinc

Current Rating	
UL/CSA*	840 A at 600 V

Line	
Wire gauge, kcmil/AWG	600...#4
Wire gauge, mm ²	300...25
Number of poles	2

Load	
Wire gauge, kcmil/AWG	600...#4
Wire gauge, mm ²	300...25
Number of poles	2

Operating Specifications	
Maximum temperature	100°C
Operating range	-10°C...+60°C
Storage temperature	-25°C...+60°C

Accessories	
SK WSD-S (1.5-10 mm 9 piece set, Allen head screwdrivers)	9008850000
SST WPDB (Accessory pin for fixing multi-pole block assemblies)	1879490000
WEW 35/3 (Pair of end brackets)	1879390000
VK WPDB 2 (Cap for spare 350 kcmil line connections)	1879380000
VK WPDB 3 (Cap for spare 600 kcmil line connections)	1880060000

Marking Tags	
KSW Strips, blank**	1629970000

Type	Part No.
WPDB 16/6 3/4	1939440000

Technical Data	
Housing material	Wemid
Flammability class	UL 94 V0
Conductor	Copper (75°C Cu wire only)
Contact material	Copper
Contact plating	

Current Rating	
UL	80 A at 600 V

Line	
Wire gauge, kcmil/AWG	14...6
Wire gauge, mm ²	2.5...16
Number of poles	1

Load	
Wire gauge, kcmil/AWG	(2) 14...6/(4) x14...10
Wire gauge, mm ²	(2) 2.5...16/(4) 2.5...6
Number of poles	6

Operating Specifications	
Maximum temperature	120° C
Operating range	
Storage temperature	

Accessories	
SDK PZ1 (crosshead screwdriver, Pozidriv type)	9008530000
SDK PZ2 (crosshead screwdriver, Pozidriv type)	9008540000
SK-S 2.0-8.0 (7-piece hexagon wrench set)	9008860000

Marking Tags	
LogiMark Strips, blank	1882890000

*Based on NEC table 310-16 for 75°C copper wire
**Pre-printed strips standard with product. Custom strips also available.

*Based on NEC table 310-16 for 75°C copper wire
**Pre-printed strips standard with product. Custom strips also available.

WPDB 35-16/16 1-16



Type	Part No.
WPDB 35-16/16 1-16	1939450000

Technical Data	
Housing material	Wemid
Flammability class	UL 94 V0
Conductor	Copper (75°C Cu wire only)

Contact material	Copper
Contact plating	

Current Rating	
UL	115 A at 600 V

Line	
Wire gauge, kcmil/AWG	(1) 8...2/(1) 10...6
Wire gauge, mm ²	(1) 10...35/(1) 6...16
Number of poles	2

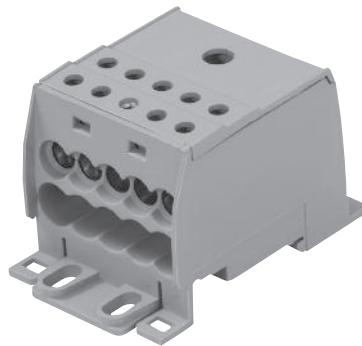
Load	
Wire gauge, kcmil/AWG	14...6
Wire gauge, mm ²	2.5...16
Number of poles	6

Operating Specifications	
Maximum temperature	120° C
Operating range	
Storage temperature	

Accessories	
SDK PZ2 (crosshead screwdriver, Pozidriv type)	9008540000
SK-S 2.0-8.0 (7-piece hexagon wrench set)	9008860000

Marking Tags	
LogiMark Strips, blank	1882890000

WPDB 70/16 1/10



Type	Part No.
WPDB 70/16 1/10	1939460000

Technical Data	
Housing material	Wemid
Flammability class	UL 94 V0
Conductor	Copper (75°C Cu wire only)

Contact material	Copper
Contact plating	

Current Rating	
UL	115 A at 600V

Line	
Wire gauge, kcmil/AWG	6...0
Wire gauge, mm ²	16...70
Number of poles	1

Load	
Wire gauge, kcmil/AWG	14...6
Wire gauge, mm ²	2.5...16
Number of poles	10

Operating Specifications	
Maximum temperature	120° C
Operating range	
Storage temperature	

Accessories	
SK-S 2.0-8.0 (7-piece hexagon wrench set)	9008860000

Marking Tags	
LogiMark Strips, blank	1882890000

WPDB 120/35-16-10 1/2-5-4



Type	Part No.
WPDB 120/35-16-10 1/2-5-4	1939470000

Technical Data	
Housing material	Wemid
Flammability class	UL 94 V0
Conductor	Copper (75°C Cu wire only)

Contact material	Copper
Contact plating	

Current Rating	
UL/CSA	230 A at 600V

Line	
Wire gauge, kcmil/AWG	2...4/0
Wire gauge, mm ²	35...120
Number of poles	1

Load	
Wire gauge, kcmil/AWG	(2) 14...2/(5) 14...6/(4) 14...8
Wire gauge, mm ²	(2) 2.5...35/(5) 2.5...16/(4) 2.5...10
Number of poles	11

Operating Specifications	
Maximum temperature	120° C
Operating range	
Storage temperature	

Accessories	
SD 1.0x5.5x150 (crosshead screwdriver, Pozidriv type)	9008350000
SD 0.8x4.5x125 (crosshead screwdriver, Pozidriv type)	9009020000
SK-S 2.0-8.0 (7-piece hexagon wrench set)	9008860000

Marking Tags	
LogiMark Strips, blank	1882890000

WPDB 185/35-16-10 1/2-5-4



WPDB 3 x 70/16 1/6



WPDB 35/16/6/N 1/2/5/11



Type	Part No.
WPDB 185/35-16-10 1/2-5-4	1939480000

Technical Data	
Housing material	Wemid
Flammability class	UL 94 V0
Conductor	Copper (75°C Cu wire only)

Contact material	Copper
Contact plating	

Current Rating	
UL/CSA	310 A at 600V

Line	
Wire gauge, kcmil/AWG	3/0...350
Wire gauge, mm²	95...185
Number of poles	1

Load	
Wire gauge, kcmil/AWG	(2) 14...2/(5) 14...6/(4) 16...8
Wire gauge, mm²	(2) 2.5...35/(5) 2.5...16/(4) 1.5...10
Number of poles	11

Operating Specifications	
Maximum temperature	120° C
Operating range	
Storage temperature	

Accessories	
SDK PZ1 (crosshead screwdriver, Pozidriv type)	9008530000
SDK PZ2 (crosshead screwdriver, Pozidriv type)	9008540000
SK-S 2.0-8.0 (7-piece hexagon wrench set)	9008860000

Marking Tags	
LogiMark Strips, blank	1882890000

Type	Part No.
WPDB 3 x 70/16 1/6	1939490000

Technical Data	
Housing material	Wemid
Flammability class	UL 94 V0
Conductor	Copper (75°C Cu wire only)

Contact material	Copper
Contact plating	

Current Rating	
UL	115 A at 600V

Line	
Wire gauge, kcmil/AWG	6...0
Wire gauge, mm²	16...70
Number of poles	3x1

Load	
Wire gauge, kcmil/AWG	14...6
Wire gauge, mm²	2.5...16
Number of poles	3x6

Operating Specifications	
Maximum temperature	120° C
Operating range	
Storage temperature	

Accessories	
SK-S 2.0-8.0 (7-piece hexagon wrench set)	9008860000

Marking Tags	
LogiMark Strips, blank	1882890000

Type	Part No.
WPDB 35/16/6/N 1/2/5/11	1939510000

Technical Data	
Housing material	Wemid
Flammability class	UL 94 V0
Conductor	Copper (75°C Cu wire only)

Contact material	Copper
Contact plating	

Current Rating	
UL	335 A at 600V

Line	
Wire gauge, kcmil/AWG	(3x1) 10...2/(3x5) 16...10/(3x2) 11...4
Wire gauge, mm²	(3x1) 6...35/(3x5) 1.5...6/(3x2) 4...16
Number of poles	(3x1)/(3x5)/(3x2)

Load	
Wire gauge, kcmil/AWG	(1) 10...2/(4) 16...10/(6) 11...4
Wire gauge, mm²	(1) 6...35/(4) 1.5...6/(6) 4...16
Number of poles	11

Operating Specifications	
Maximum temperature	120° C
Operating range	
Storage temperature	

Accessories	
SDK PZ1 (crosshead screwdriver, Pozidriv type)	9008530000
SDK PZ2 (crosshead screwdriver, Pozidriv type)	9008540000

Marking Tags	
LogiMark Strips, blank	1882890000

Tightening Torque Table

With recommended strip back lengths to maintain IP20 rating

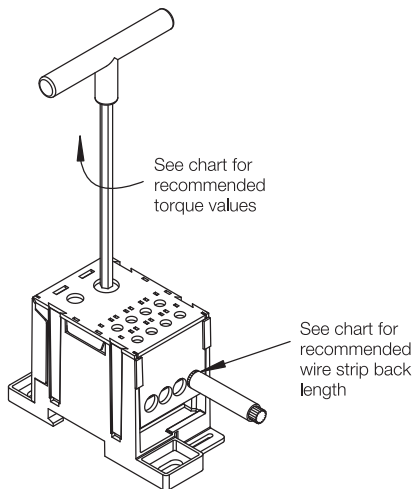
Part No.	Product Description	Wire Hole Range	Wire Strip Back Length	Hex Driver Size	Wire Size*	Torque**
1879460000 1879470000	WPDB 70 1-1 AL WPDB 70 1-1	2/0...#14 AWG (70...2.5 mm ²)	0.75 in (19.1 mm)	5 mm	2/0...#1 AWG (70...50 mm ²)	100 lbs-in (11.4 N-m)
					#2...#6 AWG (35...16 mm ²)	80 lbs-in (9 N-m)
					#8...#14 AWG (10...2.5 mm ²)	35 lbs-in (3.9 N-m)
1879480000 1879360000	WPDB 70/35 1-4 AL WPDB 70/35 1-4	2/0...#14 AWG (70...2.5 mm ²)	1 in (25.4 mm)	5 mm	2/0...#1 AWG (70...50 mm ²)	100 lbs-in (11.4 N-m)
					#2...#6 AWG (35...16 mm ²)	80 lbs-in (9 N-m)
		#2...#14 AWG (35...2.5 mm ²)	0.625 in (15.9 mm)	4 mm	#8...#14 AWG (10...2.5 mm ²)	35 lbs-in (3.9 N-m)
					#2...#6 AWG (35...16 mm ²)	80 lbs-in (9 N-m)
1879420000 1879430000	WPDB 185/35 1-8 AL WPDB 185/35 1-8	350...#6 AWG (35...2.5 mm ²)	1.125 in (28.5 mm)	8 mm	350 kcmil...3/0 AWG (185...95 mm ²)	200 lbs-in (22.6 N-m)
					2/0...#1 AWG (70...50 mm ²)	100 lbs-in (11.4 N-m)
					#2...#6 AWG (35...16 mm ²)	80 lbs-in (9 N-m)
		2/0...#14 AWG (70...2.5 mm ²)	0.875 in (22.2 mm)	5 mm	2/0...#1 AWG (70...50 mm ²)	100 lbs-in (11.4 N-m)
					#2...#6 AWG (35...16 mm ²)	80 lbs-in (9 N-m)
					#8...#14 AWG (10...2.5 mm ²)	35 lbs-in (3.9 N-m)
#2...#14 AWG (35...2.5 mm ²)	0.875 in (22.2 mm)	4 mm	#2...#6 AWG*** (35...16 mm ²)	80 lbs-in*** (9 N-m)		
			#8...#14 AWG (10...2.5 mm ²)	35 lbs-in (3.9 N-m)		
1879400000 1879410000	WPDB 185 1-1 AL WPDB 185 1-1	400...#6 AWG (185...16 mm ²)	1.3 in (33 mm)	10 mm	400 kcmil...00 AWG (185...70 mm ²)	220 lbs-in (24.9 N-m)
					0...#2 AWG (50...35 mm ²)	170 lbs-in (19.2 N-m)
					#3...#6 AWG (25...16 mm ²)	130 lbs-in (14.7 N-m)
1879440000 1879450000	WPDB 300 2-2 AL WPDB 300 2-2	600...#4 AWG (300...25 mm ²)	1.3 in (33 mm)	10 mm	600...500 kcmil AWG (300...240 mm ²)	310 lbs-in (35.1 N-m)
					400 kcmil...00 AWG (185...70 mm ²)	220 lbs-in (24.9 N-m)
					0...#2 AWG (50...35 mm ²)	170 lbs-in (19.2 N-m)
					#3...#4 AWG (25 mm ²)	130 lbs-in (14.7 N-m)

*Wire sizes based on AWG/kcmil standards with closest commercially available mm size.

**Torque values -0, +10%.

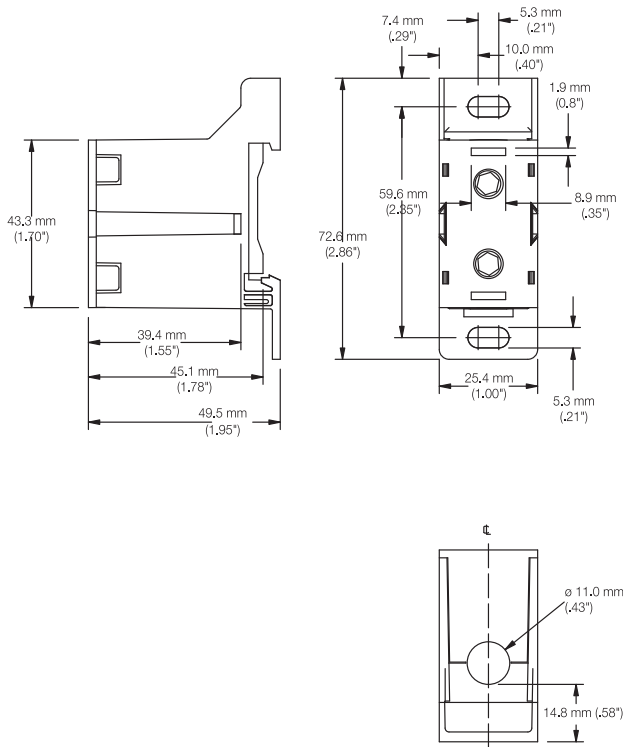
***Applies only to part number 1879420000 WPDB 185/35 1-8 AL.

Part No.	Product Description	Wire Size	Wire Strip Back Length	Pozidriv Screwdriver Size	Torque
1939440000	WPDB 16/6 3/4	6...14 AWG (16...2.5 mm ²)	.47...35 in (12...9 mm)	PZ1	13.3...26.6 lbs-in (1.5...3 Nm)
		10...14 AWG (6...2.5 mm ²)	.71...47 in (18...12 mm)	PZ2	7.1...13.3 lbs-in (0.8...1.5 Nm)
1939450000	WPDB 35-16/16 1-16	6...14 AWG (16...2.5 mm ²)	.71...47 in (18...12 mm)	PZ2	7.1...13.3 lbs-in (0.8...1.5 Nm)
		6...10 AWG (16...6 mm ²)	.47...39 in (12...10 mm)	M4	31...44.3 lbs-in (3.5...5 Nm)
		2...8 AWG (35...10 mm ²)	.59...55 in (15...14 mm)	M4	31...44.3 lbs-in (3.5...5 Nm)
1939460000	WPDB 70/16 1/10	6...14 AWG (16...2.5 mm ²)	.71...47 in (18...12 mm)	PZ2	7.1...13.3 lbs-in (0.8...1.5 Nm)
		0...6 AWG (70...16)	.63...59 in (16...15 mm)	M5	44.3 lbs-in (5 Nm)
1939470000	WPDB 120/35-16-10 1/2-5-4	4/0...2 AWG (120...35 mm ²)	1.41...1.06 in (29...27 mm)	M6	168.2 lbs-in (19 Nm)
		8...14 AWG (10...2.5 mm ²)	.47...39 in (12...10 mm)	SD 0.8x4.5x125	17.7 lbs-in (2 Nm)
		6...14 AWG (16...2.5 mm ²)	.47...39 in (12...10 mm)	SD 0.8x4.5x125	17.7 lbs-in (2 Nm)
		2...14 AWG (35...2.5 mm ²)	.47...39 in (12...10 mm)	SD 1.0x5.5x150	31 lbs-in (3.5 Nm)
1939480000	WPDB 185/35-16-10 1/2-5-4	3/0...350 AWG (185...95 mm ²)	1.41...1.06 in (29...27 mm)	M6	168.2 lbs-in (19 Nm)
		8...16 AWG (10...1.5 mm ²)	.47...39 in (12...10 mm)	SD 0.8x4.5x125	17.7 lbs-in (2 Nm)
		6...14 AWG (16...2.5 mm ²)	.47...39 in (12...10 mm)	SD 0.8x4.5x125	17.7 lbs-in (2 Nm)
		2...14 AWG (35...2.5 mm ²)	.47...39 in (12...10 mm)	SD 1.0x5.5x150	31 lbs-in (3.5 Nm)
1939490000	WPDB 3 x 70/16 1/6	0...4 AWG (70...16 mm ²)	.63...59 in (16...15 mm)	M5	44.3 lbs-in (5 Nm)
		6...14 AWG (16...2.5 mm ²)	.47...39 in (12...10 mm)	M3	26.6 lbs-in (3 Nm)
1939510000	WPDB 35/16/6/N 1/2/5/11	10...16 AWG (6...1.5 mm ²)	.47...35 in (12...9 mm)	PZ1	7.1 lbs-in (0.8 Nm)
		4...11 AWG (16...4 mm ²)	.71...47 in (18...12 mm)	PZ2	13.3 lbs-in (1.5 Nm)
		2...10 AWG (35...6 mm ²)	.71...47 in (18...12 mm)	PZ2	13.3 lbs-in (1.5 Nm)

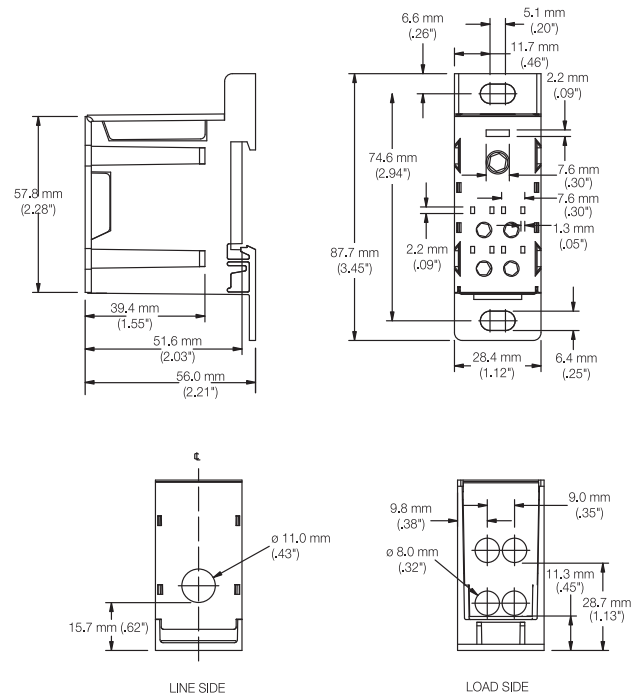


Housing Dimensions

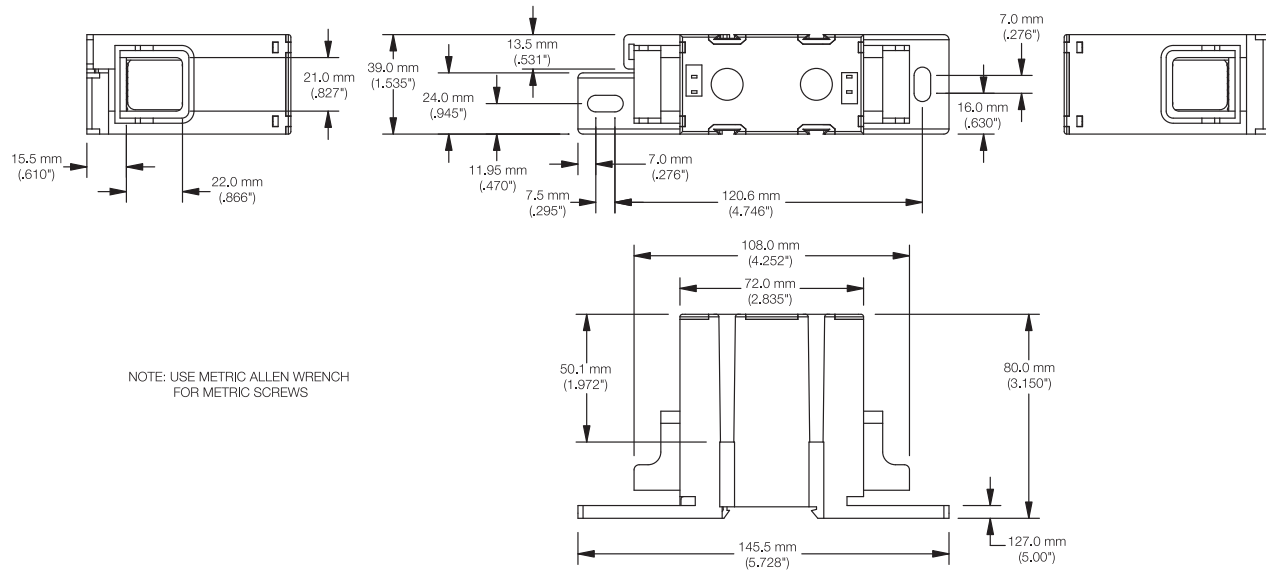
WPDB 70 1-1
WPDB 70 1-1 AL



WPDB 70/35 1-4
WPDB 70/35 1-4 AL

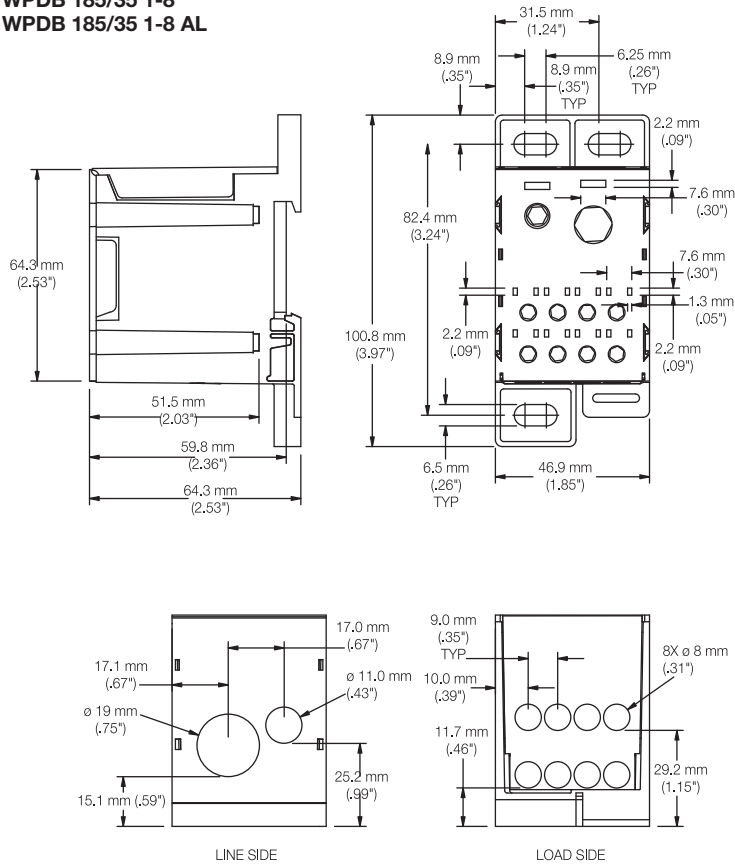


WPDB 185 1-1
WPDB 185 1-1 AL

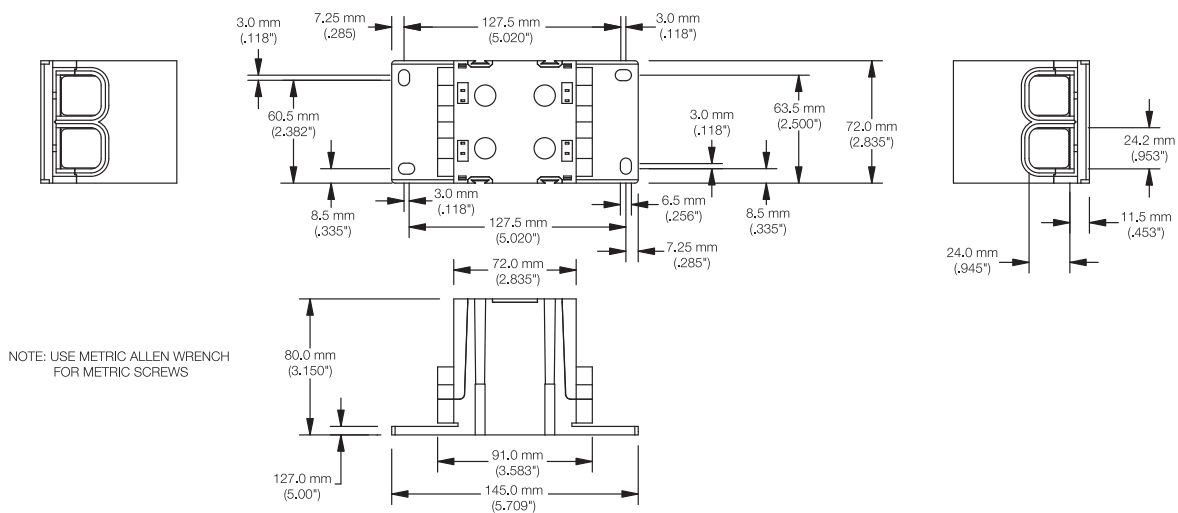


Housing Dimensions

WPDB 185/35 1-8
WPDB 185/35 1-8 AL

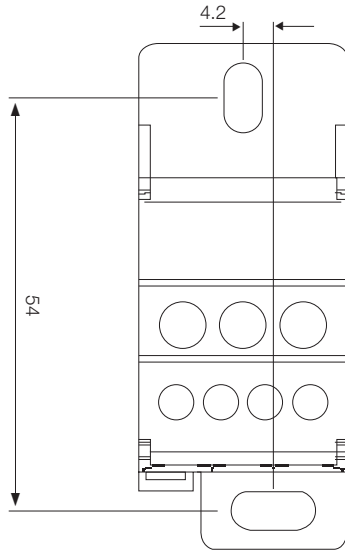


WPDB 300 2-2
WPDB 300 2-2 AL

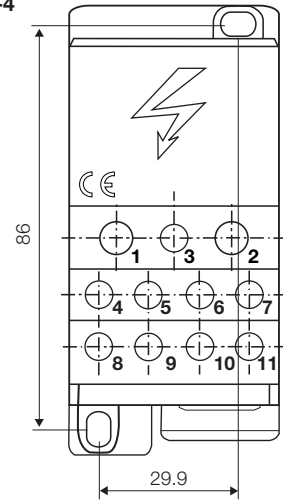


Housing Dimensions

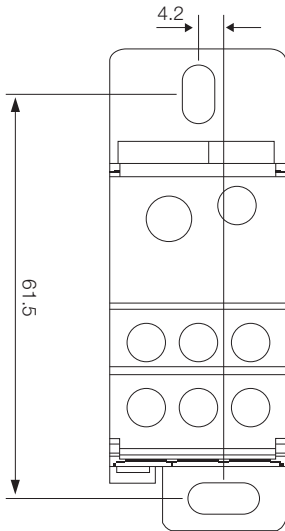
WPDB 16/6 3/4



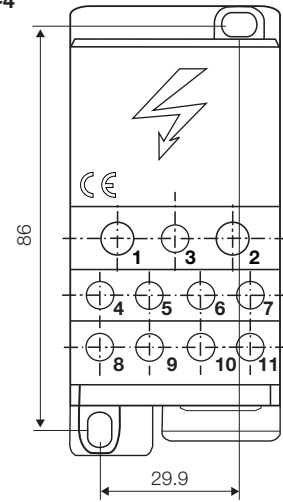
WPDB 120/35-16-10 1/2-5-4



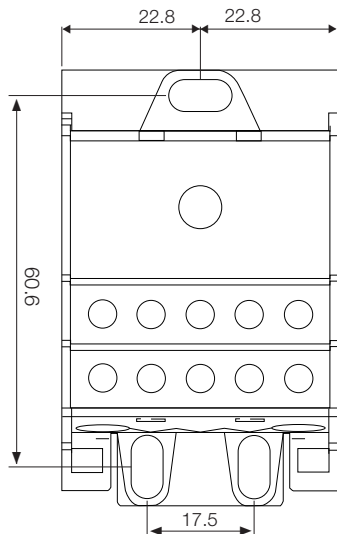
WPDB 35-16/16 1-16



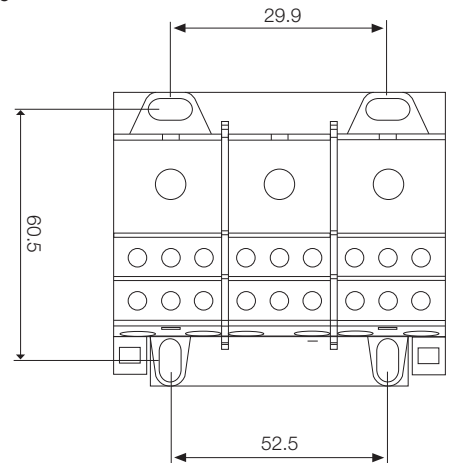
WPDB 185/35-16-10 1/2-5-4



WPDB 70/16 1/10

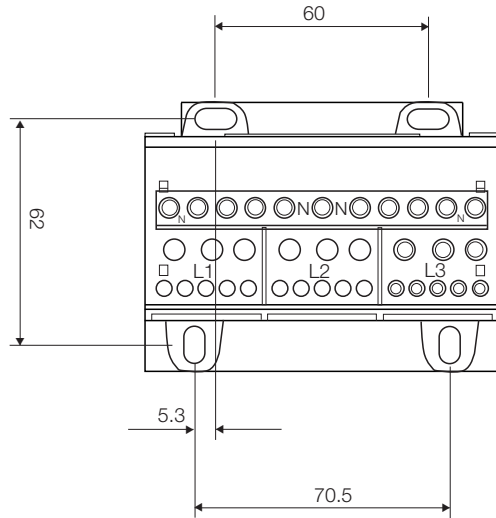


WPDB 3 x 70/16 1/6



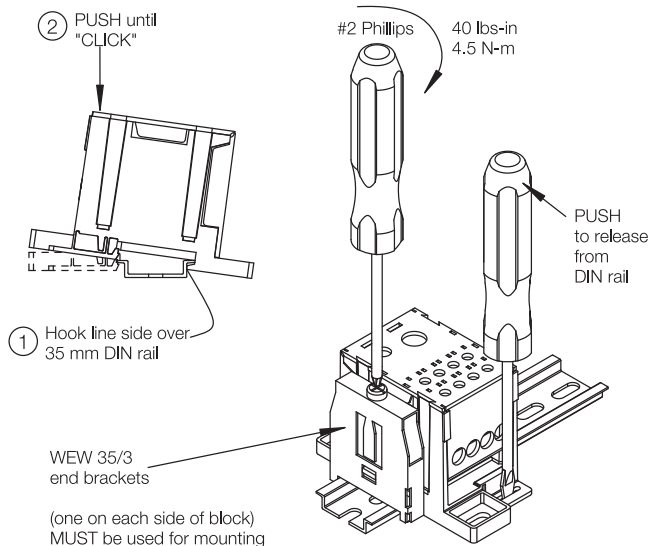
Housing Dimensions

WPDB 35/16/6/N 1/2/5/11



Mounting Instructions

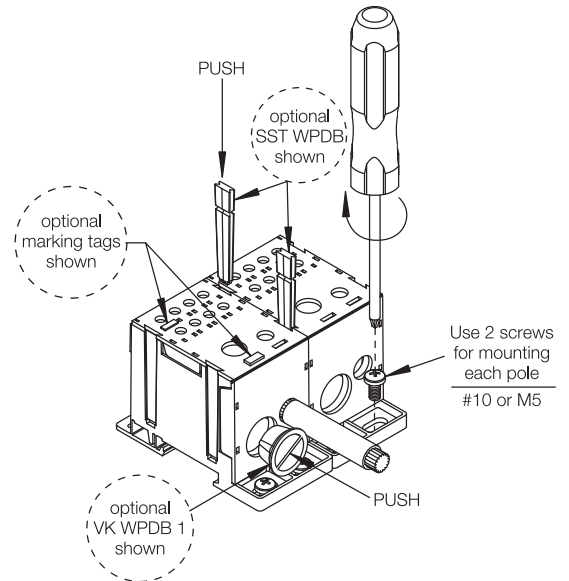
DIN Rail Mounting



WEW 35/3 end brackets (one on each side of block) MUST be used for mounting single pole WPDBs to prevent damage to the block while tightening terminals.

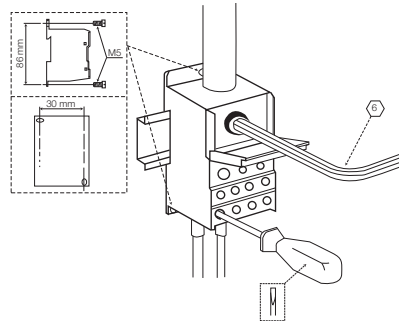
WEW 35/3 end brackets recommended for all WPDB on DIN rails

Panel Mounting

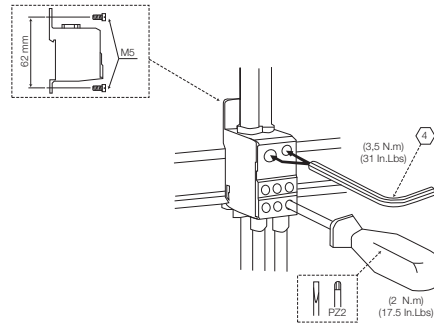


Assembly instructions

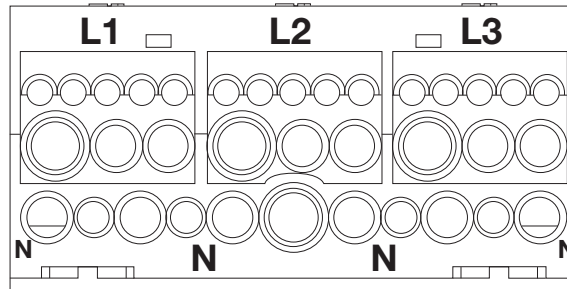
**WPDB 120/35-16-10 1/2-5-4 and
WPDB 185/35-16-10 1/2-5-4**



WPDB 35-16/16 1-16



WPDB 35/16/6/N 1/2/5/11



WPDB 3x70/16 1/6

