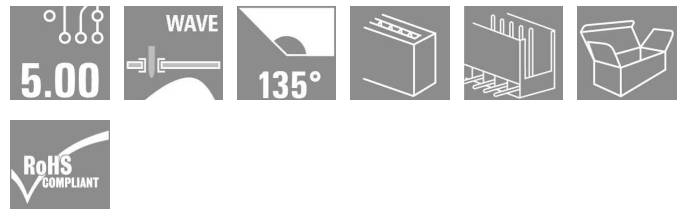


**OMNIMATE Signal - series BL/SL 5.00  
SL 5.00/02/135 3.2SN OR BX**

**Weidmüller Interface GmbH & Co. KG**  
Klingenbergstraße 16  
D-32758 Detmold  
Germany  
Fon: +49 5231 14-0  
Fax: +49 5231 14-292083  
www.weidmueller.com



Male connectors with 135° outlet direction. The solder pin length is optimised for wave flow soldering. The pin headers provide space for labelling and can be coded.

- 400 V (IEC) / 300 V (UL)
- 17 A (IEC) / 15 A (UL)

**General ordering data**

Type	SL 5.00/02/135 3.2SN OR BX
Order No.	<a href="#">1630250000</a>
Version	PCB plug-in connector, male header, open side, Solder connection, 5.00 mm, No. of poles: 2, 135°, Solder pin length (l): 3.2 mm, tinned, Orange, Box
GTIN (EAN)	4008190203672
Qty.	100 pc(s).
Product data	IEC: 400 V / 17 A UL: 300 V / 15 A
Packaging	Box

**OMNIMATE Signal - series BL/SL 5.00  
SL 5.00/02/135 3.2SN OR BX**

**Weidmüller Interface GmbH & Co. KG**  
Klingenbergstraße 16  
D-32758 Detmold  
Germany  
Fon: +49 5231 14-0  
Fax: +49 5231 14-292083  
www.weidmueller.com

**Technical data**
**Dimensions and weights**

Net weight 0.9 g

**System parameters**

Product family		Mounting onto the PCB	
	OMNIMATE Signal - series BL/SL 5.00		Solder connection
Outgoing elbow	135°	Pitch in mm (P)	5 mm
Pitch in inches (P)	0.197 inch	No. of poles	2
Solder pin length (l)	3.2 mm	Solder pin length tolerance	+0.1 / -0.3 mm
Solder pin dimensions	d = 1.2 mm, Octagonal	Solder pin dimensions = d tolerance	0 / -0,03 mm
Tolerance of solder pin position	+0.3 / 0 mm	Can be coded	Yes
Number of solder pins per pole	1	Solder eyelet hole diameter (D)	1.3 mm
Solder eyelet hole diameter tolerance (D)	+ 0,1 mm	L1 in mm	5 mm
L1 in inches	0.197 inch	Insulation resistance	≥ 10 <sup>8</sup> Ω
Touch-safe protection acc. to DIN VDE 57 106	Finger-safe plugged/ back-of-hand-safe unplugged	Volume resistance	4.50 mΩ


**Material data**

Insulating material	PBT	Colour	Orange
Insulating material group	IIIa	UL 94 flammability rating	V-0
CTI	≥ 200	Contact material	CuSn
Contact surface	tinned	Operating temperature, min.	-50 °C
Operating temperature, max.	100 °C	Temperature range, installation, min.	-25 °C
Temperature range, installation, max.	100 °C	Max. relative humidity during storage	80 %

**Rating data acc. to IEC 60664-1 / IEC 61984**

Rated current, min. no. of poles (Tu=20°C)	17 A	Rated current, max. no. of poles (Tu=20°C)	13 A
Rated current, number of poles (Tu=40°C), min	15 A	Rated current, number of poles (Tu=40°C), max.	11 A
Rated voltage for surge voltage class / pollution degree III/3	250 V	Rated impulse voltage for surge voltage class/ contamination degree III/3	4 kV
Rated voltage for surge voltage class / pollution degree III/2	320 V	Rated impulse voltage for surge voltage class/ pollution degree III/2	4 kV
Rated voltage for surge voltage class / pollution degree II/2	400 V	Rated impulse voltage for surge voltage class/ pollution degree II/2	4 kV
Short-time withstand current resistance	3 x 1s with 120 A		

**CSA rating data**

Institute (CSA)		Certificate No. (CSA)	200039-1121690
Rated voltage (Use group B)	300 V	Rated current (use group B)	15 A
Rated voltage (use group D)	300 V	Rated current (use group D)	10 A


**Data sheet**

**OMNIMATE Signal - series BL/SL 5.00  
SL 5.00/02/135 3.2SN OR BX**

**Weidmüller Interface GmbH & Co. KG**  
Klingenbergstraße 16  
D-32758 Detmold  
Germany  
Fon: +49 5231 14-0  
Fax: +49 5231 14-292083  
www.weidmueller.com

**Technical data**

**UL 1059 rating data**

Institute (UR)		Certificate No. (UR)	
		E60693	
Rated voltage (use group B)	300 V	Rated current (use group B)	15 A
Rated voltage (use group D)	300 V	Rated current (use group D)	10 A

**Classifications**

ETIM 3.0	EC001284	ETIM 4.0	EC002637
ETIM 5.0	EC002637	ETIM 6.0	EC002637
UNSPSC	30-21-18-10	eClass 5.1	27-26-07-04
eClass 6.2	27-26-07-04	eClass 7.1	27-44-04-02

**Notes**

Notes	<ul style="list-style-type: none"> <li>• Additional colours on request</li> <li>• Gold-plated contact surfaces on request</li> <li>• Rated current related to rated cross-section &amp; min. No. of poles.</li> <li>• P on drawing = pitch</li> <li>• Rated data refer only to the component itself. Clearance and creepage distances to other components are to be designed in accordance with the relevant application standards.</li> </ul>
IPC conformity	The products are developed, manufactured and delivered according to the internationally recognised IPC-A-610 standard, category "permissible". More extensive demands on the products can be evaluated on request.

**Approvals**

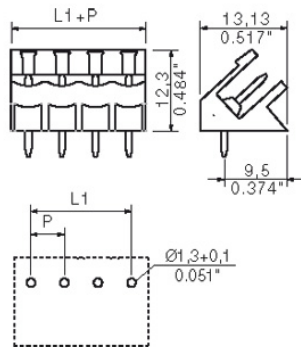
Approvals	
ROHS	Conform

**Downloads**

CAD Library (P-CAD Format - ASCII)	<a href="#">SL.zip</a>
CAD Library (P-CAD Format - Standard)	<a href="#">SL.zip</a>
<a href="#">3-D model</a>	

**Data sheet****OMNIMATE Signal - series BL/SL 5.00  
SL 5.00/02/135 3.2SN OR BX**

**Weidmüller Interface GmbH & Co. KG**  
Klingenbergstraße 16  
D-32758 Detmold  
Germany  
Fon: +49 5231 14-0  
Fax: +49 5231 14-292083  
www.weidmueller.com

**Drawings**

## OMNIMATE Signal - series BL/SL 5.00 SL 5.00/02/135 3.2SN OR BX

**Weidmüller Interface GmbH & Co. KG**  
 Klingenbergstraße 16  
 D-32758 Detmold  
 Germany  
 Fon: +49 5231 14-0  
 Fax: +49 5231 14-292083  
 www.weidmueller.com

### Mating connector (conditionally pluggable)

#### BLZP 5.00HC/270LR SN



Female plugs with clamping-yoke connection for connecting wires with a right-angle (90° or 270°) outlet direction. The female connectors provide space for labelling and can be coded. Fastened by means of a flange or release latch. They also provide an integrated plus/minus screw, protection against faulty insertion of the wire, and they are delivered with open clamping yokes. HC = High Current.

#### General ordering data

Available until	Type	Order No.	Version	GTIN (EAN)	Qty.	Product data
2014-05-20	BLZP 5.00HC/270LR SN OR BX	<a href="#">1960960000</a>	PCB plug-in connector, female plug, 5.00 mm, No. of poles: 2, 90°, Clamping yoke connection, Clamping range, rated connection, max.: 4 mm <sup>2</sup> , Box	4032248639991	90 pc(s).	IEC: 400 V / 23 A / 0.2 - 4 mm <sup>2</sup> UL: 300 V / 20 A / AWG 30 - AWG 12
BLZP 5.00HC/270LR SN BK BX	<a href="#">1961190000</a>	PCB plug-in connector, female plug, 5.00 mm, No. of poles: 2, 90°, Clamping yoke connection, Clamping range, rated connection, max.: 4 mm <sup>2</sup> , Box	4032248640287	90 pc(s).	IEC: 400 V / 23 A / 0.2 - 4 mm <sup>2</sup> UL: 300 V / 20 A / AWG 30 - AWG 12	Box

## OMNIMATE Signal - series BL/SL 5.00 SL 5.00/02/135 3.2SN OR BX

**Weidmüller Interface GmbH & Co. KG**  
Klingenbergstraße 16  
D-32758 Detmold  
Germany  
Fon: +49 5231 14-0  
Fax: +49 5231 14-292083  
www.weidmuller.com

### Mating connector (conditionally pluggable)

#### BLF 5.00HC/180LR SN



Just as reliable as the millionfold proven original and featuring innovative details:

The BLF 5.00HC PUSH IN version of the BLZ 5.00HC female connector features a new connection system and a more compact design. Weidmüller's innovative PUSH IN spring connection system stands for the future of easy and tool-free wire connection. HC = High Current. In terms of versatility, the BLF 5.00HC offers just as much as the older versions:

- 3 tested-and-proven wire outlet directions provide the usual flexibility for application-specific design
- 4 flange variations and the patented release latch allow the locking concept to be based on the requirements of the user

#### General ordering data

Type	Order No.	Version	GTIN (EAN)	Qty.	Product data	Packaging
BLF 5.00HC/02/180LR SN OR BX	<a href="#">1016340000</a>	PCB plug-in connector, female plug, 5.00 mm, No. of poles: 2, 180°, PUSH IN spring connection, Clamping range, rated connection, max.: 3.31 mm <sup>2</sup> , Box	4032248725786 90 pc(s).		IEC: 400 V / 20.5 A / 0.2 - 2.5 mm <sup>2</sup> UL: 300 V / 10 A / AWG 12 - AWG 26	Box
BLF 5.00HC/02/180LR SN BK BX	<a href="#">1016140000</a>	PCB plug-in connector, female plug, 5.00 mm, No. of poles: 2, 180°, PUSH IN spring connection, Clamping range, rated connection, max.: 3.31 mm <sup>2</sup> , Box	4032248725953 90 pc(s).		IEC: 400 V / 20.5 A / 0.2 - 2.5 mm <sup>2</sup> UL: 300 V / 10 A / AWG 12 - AWG 26	Box

#### BLZ 5.00/270B



Female plugs with clamping-yoke screw for wire connection with 270° outlet direction. The female plugs provide space for labelling and can be coded.

- 0.20 - 2.5 mm<sup>2</sup> (IEC) / 26 - 12 AWG (UL)
- 400 V (IEC) / 300 V (UL)
- 15 A (IEC) / 10 A (UL)

#### General ordering data

Type	Order No.	Version	GTIN (EAN)	Qty.	Product data	Packaging
BLZ 5.00/02/270B SN BK BX	<a href="#">1638270000</a>	PCB plug-in connector, female plug, 5.00 mm, No. of poles: 2, 270°, Clamping yoke connection, Clamping range, rated connection, max.: 3.31 mm <sup>2</sup> , Box	4008190275532 150 pc(s).		IEC: 400 V / 15 A / 0.5 - 2.5 mm <sup>2</sup> UL: 300 V / 10 A / AWG 26 - AWG 12	Box

**OMNIMATE Signal - series BL/SL 5.00  
SL 5.00/02/135 3.2SN OR BX**

**Weidmüller Interface GmbH & Co. KG**  
Klingenbergstraße 16  
D-32758 Detmold  
Germany  
Fon: +49 5231 14-0  
Fax: +49 5231 14-292083  
www.weidmueller.com

**Mating connector (conditionally pluggable)**

2011-09-30	BLZ 5.00HC/180F SN OR BX	<a href="#">1638040000</a>	PCB plug-in connector, female plug, 5.00 mm, No. of poles: 2, 270°, Clamping yoke connection, Clamping range, rated connection, max.: 3.31 mm <sup>2</sup> , Box	4008190275303 150 pc(s).	IEC: 400 V / 15 A / AWG 26 - AWG 12
------------	--------------------------	----------------------------	--	--------------------------	-------------------------------------

**BLF 5.00HC/180F SN**


Just as reliable as the millionfold proven original and featuring innovative details:  
The BLF 5.00HC PUSH IN version of the BLZ 5.00HC female connector features a new connection system and a more compact design. Weidmüller's innovative PUSH IN spring connection system stands for the future of easy and tool-free wire connection. HC = High Current. In terms of versatility, the BLF 5.00HC offers just as much as the older versions:

- 3 tested-and-proven wire outlet directions provide the usual flexibility for application-specific design
- 4 flange variations and the patented release latch allow the locking concept to be based on the requirements of the user

**General ordering data**

Type	Order No.	Version	GTIN (EAN)	Qty.	Product data	Packaging
BLF 5.00HC/02/180F SN BK BX	<a href="#">1017240000</a>	PCB plug-in connector, female plug, 5.00 mm, No. of poles: 2, 180°, PUSH IN spring connection, Clamping range, rated connection, max.: 3.31 mm <sup>2</sup> , Box	4032248728275 90 pc(s).		IEC: 400 V / 20.5 A / 0.2 - 2.5 mm <sup>2</sup> UL: 300 V / 10 A / AWG 12 - AWG 26	Box
BLF 5.00HC/02/180F SN OR BX	<a href="#">1017420000</a>	PCB plug-in connector, female plug, 5.00 mm, No. of poles: 2, 180°, PUSH IN spring connection, Clamping range, rated connection, max.: 3.31 mm <sup>2</sup> , Box	4032248728107 90 pc(s).		IEC: 400 V / 20.5 A / 0.2 - 2.5 mm <sup>2</sup> UL: 300 V / 10 A / AWG 12 - AWG 26	Box

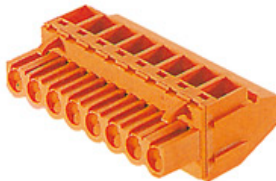
## Data sheet

### OMNIMATE Signal - series BL/SL 5.00 SL 5.00/02/135 3.2SN OR BX

**Weidmüller Interface GmbH & Co. KG**  
Klingenbergstraße 16  
D-32758 Detmold  
Germany  
Fon: +49 5231 14-0  
Fax: +49 5231 14-292083  
www.weidmueller.com

## Mating connector (conditionally pluggable)

### BLZ 5.00/90B



Female plugs with clamping-yoke screw for wire connection with 90° outlet direction. The female plugs provide space for labelling and can be coded.

- 0.20 - 2.5 mm<sup>2</sup> (IEC) / 26 - 12 AWG (UL)
- 400 V (IEC) / 300 V (UL)
- 15 A (IEC) / 10 A (UL)

### General ordering data

Available until	Type	Order No.	Version	GTIN (EAN)	Qty.	Product data
2011-09-30	BLZ 5.00/02/135 3.2SN OR BX	<a href="#">1637120000</a>	PCB plug-in connector, female plug, 5.00 mm, No. of poles: 2, 90°, Clamping yoke connection, Clamping range, rated connection, max.: 3.31 mm <sup>2</sup> , Box	4008190274368	150 pc(s).	IEC: 400 V / 15 A / 0.5 mm <sup>2</sup> UL: 300 V / 10 A / 26 AWG

### BLZP 5.00HC/270LH SN



Female plugs with clamping-yoke connection for connecting wires with a right-angle (90° or 270°) outlet direction. The female connectors provide space for labelling and can be coded. Fastened by means of a flange or release latch. They also provide an integrated plus/minus screw, protection against faulty insertion of the wire, and they are delivered with open clamping yokes. HC = High Current.

### General ordering data

Type	Order No.	Version	GTIN (EAN)	Qty.	Product data	Packaging
BLZP 5.00HC/02/270LH SN BK BX	<a href="#">1961670000</a>	PCB plug-in connector, female plug, 5.00 mm, No. of poles: 2, 90°, Clamping yoke connection, Clamping	4032248640942	90 pc(s).	IEC: 400 V / 23 A / 0.2 - 4 mm <sup>2</sup> UL: 300 V / 20 A / AWG 30 - AWG 12	Box

Creation date February 4, 2015 10:23:28 PM CET

Catalogue status 23.01.2015 / We reserve the right to make technical changes.



**OMNIMATE Signal - series BL/SL 5.00  
SL 5.00/02/135 3.2SN OR BX**

**Weidmüller Interface GmbH & Co. KG**  
Klingenbergstraße 16  
D-32758 Detmold  
Germany  
Fon: +49 5231 14-0  
Fax: +49 5231 14-292083  
www.weidmueller.com

**Mating connector (conditionally pluggable)**

	range, rated connection, max.: 4 mm <sup>2</sup> , Box			
2014-05-20	BLZP 5.00HC/02/270LH SN OR BX	<a href="#">1961440000</a>	PCB plug-in connector, female plug, 5.00 mm, No. of poles: 2, 90°, Clamping yoke connection, Clamping range, rated connection, max.: 4 mm <sup>2</sup> , Box	4032248640713 90 pc(s).  IEC: 400 V / 23 A / 0.2 - 4 mm <sup>2</sup> UL: 300 V / 20 A / AWG 30 - AWG 12

**BLZP 5.00HC/180LR SN**


Female plug with clamping-yoke screw system for connecting wires with straight (180°) outlet direction. The female connectors provide space for labelling and can be coded. Fastened by means of a flange or release latch. They also provide an integrated plus/minus screw, protection against faulty insertion of the wire, and they are delivered with open clamping yokes. HC = High Current.

**General ordering data**

Type	Order No.	Version	GTIN (EAN)	Qty.	Product data	Packaging
BLZP 5.00HC/02/180LR SN BK BX	<a href="#">1956600000</a>	PCB plug-in connector, female plug, 5.00 mm, No. of poles: 2, 180°, Clamping yoke connection, Clamping range, rated connection, max.: 4 mm <sup>2</sup> , Box	4032248635436 90 pc(s).		IEC: 400 V / 23 A / 0.2 - 4 mm <sup>2</sup> UL: 300 V / 20 A / AWG 30 - AWG 12	Box
BLZP 5.00HC/02/180LR SN OR BX	<a href="#">1956370000</a>	PCB plug-in connector, female plug, 5.00 mm, No. of poles: 2, 180°, Clamping yoke connection, Clamping range, rated connection, max.: 4 mm <sup>2</sup> , Box	4032248635078 90 pc(s).		IEC: 400 V / 23 A / 0.2 - 4 mm <sup>2</sup> UL: 300 V / 20 A / AWG 30 - AWG 12	Box

**OMNIMATE Signal - series BL/SL 5.00  
SL 5.00/02/135 3.2SN OR BX**

**Weidmüller Interface GmbH & Co. KG**  
Klingenbergstraße 16  
D-32758 Detmold  
Germany  
Fon: +49 5231 14-0  
Fax: +49 5231 14-292083  
www.weidmueller.com

**Mating connector (conditionally pluggable)**
**BLZP 5.00HC/180F SN**


Female plug with clamping-yoke screw system for connecting wires with straight (180°) outlet direction. The female connectors provide space for labelling and can be coded. Fastened by means of a flange or release latch. They also provide an integrated plus/minus screw, protection against faulty insertion of the wire, and they are delivered with open clamping yokes. HC = High Current.

**General ordering data**

Type	Order No.	Version	GTIN (EAN)	Qty.	Product data	Packaging
BLZP 5.00HC/02/180F SN OR BX	<a href="#">1955800000</a>	PCB plug-in connector, female plug, 5.00 mm, No. of poles: 2, 180°, Clamping yoke connection, Clamping range, rated connection, max.: 4 mm <sup>2</sup> , Box	4032248634347 90 pc(s).		IEC: 400 V / 23 A / 0.2 - 4 mm <sup>2</sup> UL: 300 V / 20 A / AWG 30 - AWG 12	Box
BLZP 5.00HC/02/180F SN BK BX	<a href="#">1956030000</a>	PCB plug-in connector, female plug, 5.00 mm, No. of poles: 2, 180°, Clamping yoke connection, Clamping range, rated connection, max.: 4 mm <sup>2</sup> , Box	4032248634606 90 pc(s).		IEC: 400 V / 23 A / 0.2 - 4 mm <sup>2</sup> UL: 300 V / 20 A / AWG 30 - AWG 12	Box

**BLZP 5.00HC/270F SN**


Female plugs with clamping-yoke connection for connecting wires with a right-angle (90° or 270°) outlet direction. The female connectors provide space for labelling and can be coded. Fastened by means of a flange or release latch. They also provide an integrated plus/minus screw, protection against faulty insertion of the wire, and they are delivered with open clamping yokes. HC = High Current.

**General ordering data**

Type	Order No.	Version	GTIN (EAN)	Qty.	Product data	Packaging
BLZP 5.00HC/02/270F SN BK BX	<a href="#">1960730000</a>	PCB plug-in connector, female plug, 5.00 mm, No. of poles: 2, 90°, Clamping yoke connection, Clamping range, rated connection, max.: 4 mm <sup>2</sup> , Box	4032248639724 90 pc(s).		IEC: 400 V / 23 A / 0.2 - 4 mm <sup>2</sup> UL: 300 V / 20 A / AWG 30 - AWG 12	Box
2014-05-20 BLZP 5.00HC/02/270F SN OR BX	<a href="#">1960460000</a>		PCB plug-in connector, female plug, 5.00 mm, No. of poles: 2, 90°, Clamping yoke connection,	4032248639328 90 pc(s).		IEC: 400 V / 23 A / 0.2

**OMNIMATE Signal - series BL/SL 5.00  
SL 5.00/02/135 3.2SN OR BX**

**Weidmüller Interface GmbH & Co. KG**  
Klingenbergstraße 16  
D-32758 Detmold  
Germany  
Fon: +49 5231 14-0  
Fax: +49 5231 14-292083  
www.weidmueller.com

**Mating connector (conditionally pluggable)**

Clamping range,	-
rated connection,	4
max.: 4 mm <sup>2</sup> , Box	mm <sup>2</sup>
	UL:
	300
	V /
	20
	A /
	AWG
	30
	-
	AWG
	12

**BLZP 5.00HC/90F SN**



Female plugs with clamping-yoke connection for connecting wires with a right-angle (90° or 270°) outlet direction. The female connectors provide space for labelling and can be coded. Fastened by means of a flange or release latch. They also provide an integrated plus/minus screw, protection against faulty insertion of the wire, and they are delivered with open clamping yokes. HC = High Current.

**General ordering data**

Type	Order No.	Version	GTIN (EAN)	Qty.	Product data	Packaging
BLZP 5.00HC/02/90F SN OR BX	<a href="#">1959520000</a>	PCB plug-in connector, female plug, 5.00 mm, No. of poles: 2, 90°, Clamping yoke connection, Clamping range, rated connection, max.: 4 mm <sup>2</sup> , Box	4032248638451	90 pc(s).	IEC: 400 V / 23 A / 0.2 - 4 mm <sup>2</sup> UL: 300 V / 20 A / AWG 30 - AWG 12	Box
BLZP 5.00HC/02/90F SN BK BX	<a href="#">1959750000</a>	PCB plug-in connector, female plug, 5.00 mm, No. of poles: 2, 90°, Clamping yoke connection, Clamping range, rated connection, max.: 4 mm <sup>2</sup> , Box	4032248638680	90 pc(s).	IEC: 400 V / 23 A / 0.2 - 4 mm <sup>2</sup> UL: 300 V / 20 A / AWG 30 - AWG 12	Box

## OMNIMATE Signal - series BL/SL 5.00 SL 5.00/02/135 3.2SN OR BX

**Weidmüller Interface GmbH & Co. KG**  
Klingenbergstraße 16  
D-32758 Detmold  
Germany  
Fon: +49 5231 14-0  
Fax: +49 5231 14-292083  
www.weidmueller.com

### Mating connector (conditionally pluggable)

#### BLF 5.00HC/90LR SN



Just as reliable as the millionfold proven original and featuring innovative details:  
The BLF 5.00HC PUSH IN version of the BLZ 5.00HC female connector features a new connection system and a more compact design. Weidmüller's innovative PUSH IN spring connection system stands for the future of easy and tool-free wire connection. HC = High Current. In terms of versatility, the BLF 5.00HC offers just as much as the older versions:

- 3 tested-and-proven wire outlet directions provide the usual flexibility for application-specific design
- 4 flange variations and the patented release latch allow the locking concept to be based on the requirements of the user

#### General ordering data

Type	Order No.	Version	GTIN (EAN)	Qty.	Product data	Packaging
BLF 5.00HC/02/90LR SN OR BX	<a href="#">1980870000</a>	PCB plug-in connector, female plug, 5.00 mm, No. of poles: 2, 90°, PUSH IN spring connection, Clamping range, rated connection, max.: 3.31 mm², Box	4032248675982	90 pc(s).	IEC: 400 V / 20 A / 0.2 - 2.5 mm² UL: 300 V / 10 A / AWG 12 - AWG 26	Box
BLF 5.00HC/02/90LR SN BK BX	<a href="#">1979790000</a>	PCB plug-in connector, female plug, 5.00 mm, No. of poles: 2, 90°, PUSH IN spring connection, Clamping range, rated connection, max.: 3.31 mm², Box	4032248674053	90 pc(s).	IEC: 400 V / 20 A / 0.2 - 2.5 mm² UL: 300 V / 10 A / AWG 12 - AWG 26	Box

#### BLZ 5.00/180F



Female plugs with clamping-yoke screw for wire connection with straight (180°) outlet direction. The female plugs provide space for labelling and can be coded.

- 0.20 - 2.5 mm² (IEC) / 26 - 12 AWG (UL)
- 400 V (IEC) / 300 V (UL)
- 19 A (IEC) / 15 A (UL)

#### General ordering data

Delivery status Available until	Type	Order No.	Version	GTIN (EAN)	Qty.
This article will no longer be available in the future.	BLZ 5.00/02/180F SN OR BX	<a href="#">1843290000</a>	PCB plug-in connector, female plug, 5.00 mm, No. of poles: 2, 180°, Clamping yoke connection,	4032248355013	100 pc(s).

Creation date February 4, 2015 10:23:28 PM CET

**Data sheet**

**OMNIMATE Signal - series BL/SL 5.00  
SL 5.00/02/135 3.2SN OR BX**

**Weidmüller Interface GmbH & Co. KG**  
Klingenbergstraße 16  
D-32758 Detmold  
Germany  
Fon: +49 5231 14-0  
Fax: +49 5231 14-292083  
www.weidmueller.com

**Mating connector (conditionally pluggable)**

This article will no longer be available in the future.	2015-12-31T00:00:00+01:00	BLZ 5.00/02/180F SN BK BX	<a href="#">1843520000</a>	Clamping range,	4032248355242	100
				rated connection, max.: 3.31 mm <sup>2</sup> , Box		
				PCB plug-in connector, female plug, 5.00 mm, No. of poles: 2, 180°, Clamping yoke connection, Clamping range, rated connection, max.: 3.31 mm <sup>2</sup> , Box		pc(s).

**BLZP 5.00HC/180LH SN**



Female plug with clamping-yoke screw system for connecting wires with straight (180°) outlet direction. The female connectors provide space for labelling and can be coded. Fastened by means of a flange or release latch. The also provide an integrated plus/minus screw, protection against faulty insertion of the wire, and they are delivered with open clamping yokes. HC = High Current.

**General ordering data**

Available until	Type	Order No.	Version	GTIN (EAN)	Qty.	Product data
2014-05-20	BLZP.500HC/180LH SN OR BX	<a href="#">1956990000</a>	PCB plug-in connector, female plug, 5.00 mm, No. of poles: 2, 180°, Clamping yoke connection, Clamping range, rated connection, max.: 4 mm <sup>2</sup> , Box	403224863587090	90 pc(s).	IEC: 400 V / 23 A / AWG 30 - AWG 12
2014-05-20	BLZP.500HC/180LH SN BK BX	<a href="#">1957290000</a>	PCB plug-in connector, female plug, 5.00 mm, No. of poles: 2, 180°, Clamping	403224863610590	90 pc(s).	IEC: 400 V / 23 A /

Creation date February 4, 2015 10:23:28 PM CET

**OMNIMATE Signal - series BL/SL 5.00  
SL 5.00/02/135 3.2SN OR BX**

**Weidmüller Interface GmbH & Co. KG**  
Klingenbergstraße 16  
D-32758 Detmold  
Germany  
Fon: +49 5231 14-0  
Fax: +49 5231 14-292083  
www.weidmueller.com

**Mating connector (conditionally pluggable)**

yoke connection,	0.2
Clamping range,	-
rated connection,	4
max.: 4 mm <sup>2</sup> , Box	mm <sup>2</sup>
	UL:
	300
	V /
	20
	A /
	AWG
	30
	-
	AWG
	12

**BLF 5.00HC/90LH SN**



Just as reliable as the millionfold proven original and featuring innovative details:  
The BLF 5.00HC PUSH IN version of the BLZ 5.00HC female connector features a new connection system and a more compact design. Weidmüller's innovative PUSH IN spring connection system stands for the future of easy and tool-free wire connection. HC = High Current. In terms of versatility, the BLF 5.00HC offers just as much as the older versions:

- 3 tested-and-proven wire outlet directions provide the usual flexibility for application-specific design
- 4 flange variations and the patented release latch allow the locking concept to be based on the requirements of the user

**General ordering data**

Available until	Type	Order No.	Version	GTIN (EAN)	Qty.	Product data
2014-05-20	BLF 5.00HC/02/02/90LH SN OR BX	<a href="#">1981370000</a>	PCB plug-in connector, female plug, 5.00 mm, No. of poles: 2, 90°, PUSH IN spring connection, Clamping range, rated connection, max.: 3.31 mm <sup>2</sup> , Box	4032248676675	90 pc(s).	IEC: 400 V / 20 A / AWG 12 - AWG 26

**OMNIMATE Signal - series BL/SL 5.00  
SL 5.00/02/135 3.2SN OR BX**

**Weidmüller Interface GmbH & Co. KG**  
Klingenbergstraße 16  
D-32758 Detmold  
Germany  
Fon: +49 5231 14-0  
Fax: +49 5231 14-292083  
www.weidmueller.com

**Mating connector (conditionally pluggable)**

BLF	<a href="#">1979980000</a>	PCB plug-in connector,	4032248675043 90 pc(s).	IEC: 400 V / 20 A / 0.2 - 2.5 mm <sup>2</sup>	Box
5.00HC/02/90LH		female plug, 5.00 mm,		UL: 300 V / 10 A / AWG 12 - AWG 26	
SN BK BX		No. of poles: 2, 90°, PUSH			
		IN spring connection,			
		Clamping range, rated			
		connection, max.: 3.31			
		mm <sup>2</sup> , Box			

## OMNIMATE Signal - series BL/SL 5.00 SL 5.00/02/135 3.2SN OR BX

**Weidmüller Interface GmbH & Co. KG**  
 Klingenbergstraße 16  
 D-32758 Detmold  
 Germany  
 Fon: +49 5231 14-0  
 Fax: +49 5231 14-292083  
 www.weidmueller.com

### Mating connector (fully pluggable)

#### BL 5.00



Female plugs with leaf-spring wire connection system.  
 The female plugs provide space for labelling.

- 0.2 - 1.5 mm<sup>2</sup> (IEC) / 26 - 14 AWG (UL)
- 400 V (IEC) / 300 V (UL)
- 11 A (IEC) / 10 A (UL)

#### General ordering data

Delivery status	Available until	Type	Order No.	Version	GTIN (EAN)	Qty.
This article will no longer be available in the future.	2015-12-31T00:00:00+01:00	BL 5.00/02/180 SN GY BX	<a href="#">1762770000</a>	PCB plug-in connector, female plug, 5.00 mm, No. of poles: 2, 180°, Pressure clamp connection, Clamping range, rated connection, max.: 2.08 mm <sup>2</sup> , Box	4032248048687	100 pc(s)
This article will no longer be available in the future.	2015-12-31T00:00:00+01:00	BL 5.00/02/180 SN BK BX	<a href="#">1730700000</a>	PCB plug-in connector, female plug, 5.00 mm, No. of poles: 2, 180°, Pressure clamp connection, Clamping range, rated connection, max.: 2.08 mm <sup>2</sup> , Box	4008190387334	100 pc(s)
This article will no longer be available in the future.	2015-12-31T00:00:00+01:00	BL 5.00/02/180 SN OR BX	<a href="#">1723110000</a>	PCB plug-in connector, female plug, 5.00 mm, No. of poles: 2, 180°, Pressure clamp connection, Clamping range, rated connection, max.: 2.08 mm <sup>2</sup> , Box	4032248002511	100 pc(s)



## OMNIMATE Signal - series BL/SL 5.00 SL 5.00/02/135 3.2SN OR BX

**Weidmüller Interface GmbH & Co. KG**  
 Klingenbergstraße 16  
 D-32758 Detmold  
 Germany  
 Fon: +49 5231 14-0  
 Fax: +49 5231 14-292083  
 www.weidmueller.com

### Mating connector (fully pluggable)

#### BLZ 5.00/90



Female plugs with clamping-yoke screw for wire connection with 90° outlet direction. The female plugs provide space for labelling and can be coded.

- 0.20 - 2.5 mm<sup>2</sup> (IEC) / 26 - 12 AWG (UL)
- 400 V (IEC) / 300 V (UL)
- 15 A (IEC) / 10 A (UL)

#### General ordering data

Delivery status	Available until	Type	Order No.	Version	GTIN (EAN)	Qty.
This article will no longer be available in the future.	2015-12-31T00:00:00+01:00	BLZ 5.00/02/90 SN OR BX	<a href="#">1635940000</a>	PCB plug-in connector, female plug, 5.00 mm, No. of poles: 2, 90°, Clamping yoke connection, Clamping range, rated connection, max.: 3.31 mm <sup>2</sup> , Box	4008190265854	180 pc(s).
This article will no longer be available in the future.	2015-12-31T00:00:00+01:00	BLZ 5.00/02/90 SN BK BX	<a href="#">1636890000</a>	PCB plug-in connector, female plug, 5.00 mm, No. of poles: 2, 90°, Clamping yoke connection, Clamping range, rated connection, max.: 3.31 mm <sup>2</sup> , Box	4008190274139	180 pc(s).

#### BLZP 5.00HC/90 SN



Female plugs with clamping-yoke connection for connecting wires with a right-angle (90° or 270°) outlet direction. The female connectors provide space for labelling and can be coded. Fastened by means of a flange or release latch. They also provide an integrated plus/minus screw, protection against faulty insertion of the wire, and they are delivered with open clamping yokes. HC = High Current.

#### General ordering data

Type	Order No.	Version	GTIN (EAN)	Qty.	Product data	Packaging
BLZP 5.00HC/02/90 SN OR BX	<a href="#">1958300000</a>	PCB plug-in connector, female plug, 5.00 mm, No. of poles: 2, 90°, Clamping yoke connection, Clamping	4032248637164	180 pc(s).	IEC: 400 V / 23 A / 0.2 - 4 mm <sup>2</sup> UL: 300 V / 20 A / AWG 30 - AWG 12	Box

**OMNIMATE Signal - series BL/SL 5.00  
SL 5.00/02/135 3.2SN OR BX**

**Weidmüller Interface GmbH & Co. KG**  
Klingenbergstraße 16  
D-32758 Detmold  
Germany  
Fon: +49 5231 14-0  
Fax: +49 5231 14-292083  
www.weidmueller.com

**Mating connector (fully pluggable)**

		range, rated connection, max.: 4 mm <sup>2</sup> , Box			
BLZP	<a href="#">1958650000</a>	PCB plug-in connector, female plug, 5.00 mm, No. of poles: 2, 90°, Clamping yoke connection, Clamping range, rated connection, max.: 4 mm <sup>2</sup> , Box	4032248637386 180 pc(s).	IEC: 400 V / 23 A / 0.2 - 4 mm <sup>2</sup> UL: 300 V / 20 A / AWG 30 - AWG 12	Box
5.00HC/02/90					
SN BK BX					

**BLZP 5.00HC/180 SN**


Female plug with clamping-yoke screw system for connecting wires with straight (180°) outlet direction. The female connectors provide space for labelling and can be coded. Fastened by means of a flange or release latch. They also provide an integrated plus/minus screw, protection against faulty insertion of the wire, and they are delivered with open clamping yokes. HC = High Current.

**General ordering data**

Type	Order No.	Version	GTIN (EAN)	Qty.	Product data	Packaging
BLZP	<a href="#">1955570000</a>	PCB plug-in connector, female plug, 5.00 mm, No. of poles: 2, 180°, Clamping yoke connection, Clamping range, rated connection, max.: 4 mm <sup>2</sup> , Box	4032248634064 180 pc(s).		IEC: 400 V / 23 A / 0.2 - 4 mm <sup>2</sup> UL: 300 V / 20 A / AWG 30 - AWG 12	Box
5.00HC/02/180						
SN BK BX						
BLZP	<a href="#">1954490000</a>	PCB plug-in connector, female plug, 5.00 mm, No. of poles: 2, 180°, Clamping yoke connection, Clamping range, rated connection, max.: 4 mm <sup>2</sup> , Box	4032248633203 180 pc(s).		IEC: 400 V / 23 A / 0.2 - 4 mm <sup>2</sup> UL: 300 V / 20 A / AWG 30 - AWG 12	Box
5.00HC/02/180						
SN OR BX						

**OMNIMATE Signal - series BL/SL 5.00  
SL 5.00/02/135 3.2SN OR BX**

**Weidmüller Interface GmbH & Co. KG**  
Klingenbergstraße 16  
D-32758 Detmold  
Germany  
Fon: +49 5231 14-0  
Fax: +49 5231 14-292083  
www.weidmueller.com

**Mating connector (fully pluggable)**
**BLF 5.00HC/90 SN**


Just as reliable as the millionfold proven original and featuring innovative details:  
The BLF 5.00HC PUSH IN version of the BLZ 5.00HC female connector features a new connection system and a more compact design. Weidmüller's innovative PUSH IN spring connection system stands for the future of easy and tool-free wire connection. HC = High Current. In terms of versatility, the BLF 5.00HC offers just as much as the older versions:

- 3 tested-and-proven wire outlet directions provide the usual flexibility for application-specific design
- 4 flange variations and the patented release latch allow the locking concept to be based on the requirements of the user

**General ordering data**

Type	Order No.	Version	GTIN (EAN)	Qty.	Product data	Packaging
BLF 5.00HC/02/90 SN OR BX	<a href="#">1980170000</a>	PCB plug-in connector, female plug, 5.00 mm, No. of poles: 2, 90°, PUSH IN spring connection, Clamping range, rated connection, max.: 3.31 mm <sup>2</sup> , Box	4032248675258	180 pc(s).	IEC: 400 V / 20 A / 0.2 - 2.5 mm <sup>2</sup> UL: 300 V / 10 A / AWG 12 - AWG 26	Box
BLF 5.00HC/02/90 SN BK BX	<a href="#">1979270000</a>	PCB plug-in connector, female plug, 5.00 mm, No. of poles: 2, 90°, PUSH IN spring connection, Clamping range, rated connection, max.: 3.31 mm <sup>2</sup> , Box	4032248674442	180 pc(s).	IEC: 400 V / 20 A / 0.2 - 2.5 mm <sup>2</sup> UL: 300 V / 10 A / AWG 12 - AWG 26	Box

**BLZ 5.00/180**


Female plugs with clamping-yoke screw for wire connection with straight (180°) outlet direction. The female plugs provide space for labelling and can be coded.

- 0.20 - 2.5 mm<sup>2</sup> (IEC) / 26 - 12 AWG (UL)
- 400 V (IEC) / 300 V (UL)
- 19 A (IEC) / 15 A (UL)

**General ordering data**

Delivery status Available until	Type	Order No.	Version	GTIN (EAN)	Qty.
This article will no longer be available in the future.	BLZ 5.00/02/180 SN BK BX	<a href="#">1625610000</a>	PCB plug-in connector, female plug, 5.00 mm, No. of poles: 2, 180°, Clamping yoke connection,	4008190196912	100 pc(s).

Creation date February 4, 2015 10:23:29 PM CET

**OMNIMATE Signal - series BL/SL 5.00  
SL 5.00/02/135 3.2SN OR BX**

**Weidmüller Interface GmbH & Co. KG**  
Klingenbergstraße 16  
D-32758 Detmold  
Germany  
Fon: +49 5231 14-0  
Fax: +49 5231 14-292083  
www.weidmueller.com

**Mating connector (fully pluggable)**

This article will no longer be available in the future.	2015-12-31T00:00:00+01:00	BLZ 5.00/02/180 SN OR BX	<a href="#">1571350000</a>	Clamping range, rated connection, max.: 3.31 mm <sup>2</sup> , Box	4008190172534	100
				PCB plug-in connector, female plug, 5.00 mm, No. of poles: 2, 180°, Clamping yoke connection, Clamping range, rated connection, max.: 3.31 mm <sup>2</sup> , Box		

**BLZ 5.00/270**



Female plugs with clamping-yoke screw for wire connection with 270° outlet direction. The female plugs provide space for labelling and can be coded.

- 0.20 - 2.5 mm<sup>2</sup> (IEC) / 26 - 12 AWG (UL)
- 400 V (IEC) / 300 V (UL)
- 15 A (IEC) / 10 A (UL)

**General ordering data**

Delivery status	Available until	Type	Order No.	Version	GTIN (EAN)	Qty.
This article will no longer be available in the future.	2015-12-31T00:00:00+01:00	BLZ 5.00/02/270 SN BK BX	<a href="#">1637810000</a>	PCB plug-in connector, female plug, 5.00 mm, No. of poles: 2, 270°, Clamping yoke connection, Clamping range, rated connection, max.: 3.31 mm <sup>2</sup> , Box	4008190275051	180
				PCB plug-in connector, female plug, 5.00 mm, No. of poles: 2, 270°, Clamping yoke connection, Clamping range, rated connection, max.: 3.31 mm <sup>2</sup> , Box		
This article will no longer be available in the future.	2015-12-31T00:00:00+01:00	BLZ 5.00/02/270 SN OR BX	<a href="#">1637580000</a>	PCB plug-in connector, female plug, 5.00 mm, No. of poles: 2, 270°, Clamping yoke connection, Clamping range, rated connection, max.: 3.31 mm <sup>2</sup> , Box	4008190274825	180
				PCB plug-in connector, female plug, 5.00 mm, No. of poles: 2, 270°, Clamping yoke connection, Clamping range, rated connection, max.: 3.31 mm <sup>2</sup> , Box		

**OMNIMATE Signal - series BL/SL 5.00  
SL 5.00/02/135 3.2SN OR BX**

**Weidmüller Interface GmbH & Co. KG**  
Klingenbergstraße 16  
D-32758 Detmold  
Germany  
Fon: +49 5231 14-0  
Fax: +49 5231 14-292083  
www.weidmueller.com

**Mating connector (fully pluggable)**
**BLF 5.00HC/180 SN**


Just as reliable as the millionfold proven original and featuring innovative details:

The BLF 5.00HC PUSH IN version of the BLZ 5.00HC female connector features a new connection system and a more compact design. Weidmüller's innovative PUSH IN spring connection system stands for the future of easy and tool-free wire connection. HC = High Current. In terms of versatility, the BLF 5.00HC offers just as much as the older versions:

- 3 tested-and-proven wire outlet directions provide the usual flexibility for application-specific design
- 4 flange variations and the patented release latch allow the locking concept to be based on the requirements of the user

**General ordering data**

Type	Order No.	Version	GTIN (EAN)	Qty.	Product data	Packaging
BLF 5.00HC/02/180 SN BK BX	<a href="#">1017670000</a>	PCB plug-in connector, female plug, 5.00 mm, No. of poles: 2, 180°, PUSH IN spring connection, Clamping range, rated connection, max.: 3.31 mm <sup>2</sup> , Box	4032248728848	180 pc(s).	IEC: 400 V / 20.5 A / 0.2 - 2.5 mm <sup>2</sup> UL: 300 V / 10 A / AWG 12 - AWG 26	Box
BLF 5.00HC/02/180 SN OR BX	<a href="#">1017860000</a>	PCB plug-in connector, female plug, 5.00 mm, No. of poles: 2, 180°, PUSH IN spring connection, Clamping range, rated connection, max.: 3.31 mm <sup>2</sup> , Box	4032248728671	180 pc(s).	IEC: 400 V / 20.5 A / 0.2 - 2.5 mm <sup>2</sup> UL: 300 V / 10 A / AWG 12 - AWG 26	Box

**BLZP 5.00HC/270 SN**


Female plugs with clamping-yoke connection for connecting wires with a right-angle (90° or 270°) outlet direction. The female connectors provide space for labelling and can be coded. Fastened by means of a flange or release latch. They also provide an integrated plus/minus screw, protection against faulty insertion of the wire, and they are delivered with open clamping yokes. HC = High Current.

**General ordering data**

Type	Order No.	Version	GTIN (EAN)	Qty.	Product data	Packaging
BLZP 5.00HC/02/270 SN BK BX	<a href="#">1959100000</a>	PCB plug-in connector, female plug, 5.00 mm, No. of poles: 2, 90°, Clamping yoke connection, Clamping range, rated connection, max.: 4 mm <sup>2</sup> , Box	4032248638031	180 pc(s).	IEC: 400 V / 23 A / 0.2 - 4 mm <sup>2</sup> UL: 300 V / 20 A / AWG 30 - AWG 12	Box

**OMNIMATE Signal - series BL/SL 5.00  
SL 5.00/02/135 3.2SN OR BX**

**Weidmüller Interface GmbH & Co. KG**  
Klingenbergstraße 16  
D-32758 Detmold  
Germany  
Fon: +49 5231 14-0  
Fax: +49 5231 14-292083  
www.weidmueller.com

**Mating connector (fully pluggable)**

BLZP	<a href="#">1958870000</a>	PCB plug-in connector,	4032248637706 180 pc(s).	IEC: 400 V / 23 A / 0.2 - 4 mm <sup>2</sup>	Box
5.00HC/02/270		female plug, 5.00 mm, No.		UL: 300 V / 20 A / AWG 30 - AWG 12	
SN OR BX		of poles: 2, 90°, Clamping yoke connection, Clamping range, rated connection, max.: 4 mm <sup>2</sup> , Box			

## Recommended wave soldering profiles

**Weidmüller Interface GmbH & Co. KG**  
 Klingenbergstraße 16  
 D-32758 Detmold  
 Germany  
 Fon: +49 5231 14-0  
 Fax: +49 5231 14-292083  
 www.weidmueller.com

### Single Wave:



### Double Wave:



### Wave soldering profiles

Wired connection elements should be processed in accordance with the DIN EN 61760-1 standard. We have included two recommendations for practical wave soldering profiles, with which Weidmüller PCB terminals and connectors are qualified.

When choosing a suitable profile for your application, the following factors also need to be considered:

- PCB thickness
- Proportion of Cu in the layers
- Single/double-sided assembly
- Product range
- Heating and cooling rates

The single and double wave profiles each indicate the recommended operating range, including the maximum soldering temperature of 260°C. In practice, the maximum soldering temperature is quite often well below the above maximum profile.

# Adressen weltweit

Let's connect.

- AE Vereinigte Arabische Emirate**  
Weidmüller Middle East FZE  
Warehouse Q3-79  
SAIF-Zone  
P.O. BOX 8591  
Sharjah  
Telefonnummer +971 65572723  
Faxnummer +971 65572724  
wme.info@weidmueller.com
- AO Angola**  
Bitte kontaktieren Sie  
Phambili Interface  
Südafrika
- AR Argentinien**  
CPI SA  
Bauness 2660  
C1431DOF Buenos Aires  
Telefonnummer +54 11 4523 8008  
Faxnummer +54 11 4522 0546  
info@cpi.com.ar  
www.cpi.com.ar
- AT Österreich**  
Weidmüller GmbH  
IZ NOE Süd Straße 2b, Obj M 59  
2355 Wiener Neudorf  
Telefonnummer +43 2236 67080  
Faxnummer +43 2236 6708-899  
office.at@weidmueller.com  
www.weidmueller.com
- AU Australia**  
Weidmüller Pty. Ltd.  
PO BOX 6944  
Huntingwood 2148  
Huntingwood Drive 43  
Huntingwood NSW 2148  
Telefonnummer +61 2 9671 9999  
Faxnummer +61 2 9671 9911  
info@weidmueller.com.au  
www.weidmueller.com.au
- AZ Aserbaidschan**  
Repräsentanz Büro  
Rashad Mahmudov  
Demirchi Tower, 4th floor  
37, Khojali ave.  
AZ 1025 Baku  
Telefonnummer +994 12 488 80 36  
Faxnummer +994 12 488 80 37  
rashad.mahmudov@weidmueller.com
- BA Bosnien und Herzegowina**  
Bitte kontaktieren Sie  
unser Representative Office  
Weidmüller Interface GmbH & Co. KG  
Serbien  
oder  
BIG electric d.o.o.  
Mladena Stojanovića 117A  
78000 Banja Luka  
Telefonnummer +387 51926277  
Faxnummer +387 51926277  
bigelectric@blic.net  
www.bigelectric.ba
- BE Belgien**  
Weidmüller Benelux B. V.  
Mechelsesteenweg 519 bus  
6 an 7  
1930 Nossegem  
Telefonnummer +32 2 752 40 70  
Faxnummer +32 2 751 36 06  
info@weidmueller.be  
www.weidmueller.be
- BG Bulgarien**  
Weid-Bul EOOD  
Bul. "Kliment Ohridski" 13  
1756 Sofia  
Telefonnummer +359 2 963 2560  
Faxnummer +359 2 963 1098  
sofia@weidbul.com  
www.weidbul.com
- BH Bahrain**  
Khayber Trading Company  
P.O Box 1976  
Manama  
Telefonnummer +973 720747  
Faxnummer +973 720331  
khayber@batelco.com.bh
- BR Brasilien**  
Weidmüller Conexel do Brasil  
Conexões Elétricas Ltda.  
Av. Presidente Juscelino, 642 - Piraporinha  
Diadema, São Paulo  
09950-370  
Telefonnummer +55 (11) 4366-9600  
Faxnummer +55 (11) 4362-1677  
vendas@weidmueller.com.br  
www.weidmueller.com.br
- BW Botswana**  
Bitte kontaktieren Sie  
Phambili Interface  
Südafrika
- BY Weißrussland**  
TECHNIKON Ltd.  
Nezavisimosti pr. 177-9  
220125 Minsk  
Telefonnummer +375 17 393-11-77  
Faxnummer +375 17 3930080  
wm@technikon.by
- CA Kanada**  
W Interconnections Canada Inc.  
10 Spy Court  
Markham Ontario L3R 5H6  
Telefonnummer +1 (905) 475-1507 Ext. 9836  
Faxnummer +1 (905) 475-2798  
support@weidmuller.ca  
www.weidmuller.ca
- CG Kongo**  
Bitte kontaktieren Sie  
Phambili Interface  
Südafrika
- CH Schweiz**  
Weidmüller Schweiz AG  
Rundbuckstraße 2  
82 12 Neuhausen am Rheinfall SH  
Telefonnummer +41 52 674 07 07  
Faxnummer +41 52 674 07 08  
info@weidmueller.ch  
www.weidmueller.ch
- CL Chile**  
ATS- INTECH  
Maria Luisa Santander 0475  
Santiago  
Providencia 7500859  
Telefonnummer +56 2 341 1271  
Faxnummer +56 2 341 1275  
felipe@atsintech.com  
www.atsintech.com  
CPI CHILE LTDA  
Av. Presidente Frei Montalva  
6001, 47 complejo el cortijo  
Santiago - Conchalí  
Telefonnummer +562 963 8440  
Faxnummer +562 963 8440  
cpi@cpichile.cl  
www.cpichile.cl
- CN China**  
Weidmüller Interface  
(Shanghai) Co. Ltd.  
100 Yutong Road  
25 F. BM Intercontinental  
Business Center  
200070 Shanghai  
Telefonnummer +86 21-22195008  
Faxnummer +86 512-68417505  
customer.hotline@weidmueller.com.cn  
www.cnweidmuller.com
- CO Kolumbien**  
Automatización Avanzada S. A.  
Carrera 97 No., 24 c - 23  
Bodega 4  
110911 Bogotá-D.C.  
Telefonnummer +57 (1) 547-8510  
Faxnummer +57 (1) 422-3044  
comercial@automatizacionavanzada.com  
www.automatizacionavanzada.com
- CR Costa Rica**  
ELVATRON S. A.  
la Uruca 400 Norte Banco  
Costa Rica  
San Jose Costa Rica  
Telefonnummer +506 2961-060  
Faxnummer +506 5200-609  
dirk.haese@elvatron.com  
www.elvatron.com
- CZ Tschechische Republik**  
Weidmüller s.r.o.  
Lomnického 5/1705  
140 00 Praha 4  
Telefonnummer +420 244 001 400  
Faxnummer +420 244 001 499  
office@weidmueller.cz  
www.weidmueller.cz
- DE Deutschland**  
Weidmüller GmbH & Co. KG  
Ohmstraße 9  
32758 Detmold  
Postfach 30 54  
32720 Detmold  
Telefonnummer +49 5231 1428-0  
Faxnummer +49 5231 14-292083  
weidmueller@weidmueller.de  
www.weidmueller.de
- DK Dänemark**  
Weidmüller Danmark  
Vallensbækvej 18A  
2605 Brøndby  
Telefonnummer +45 27747800  
kundeservice@weidmuller.dk  
www.weidmuller.dk
- EC Ecuador**  
Elsystec S. A., Electricidad  
Sistemas y Tecnología  
Vasco de Contreras N35-251  
y Mañosa  
Quito - Pichincha  
Telefonnummer +593 22456510  
Faxnummer +593 22456755  
Elsystec@uiio.satnet.net
- EE Estland**  
Bitte kontaktieren Sie  
unser Representative Office  
Weidmüller Interface GmbH & Co. KG  
Lettland  
oder  
Soots Interface OÜ  
Pärnu mnt 142  
11317 Tallinn  
Telefonnummer +372 609 6933  
Faxnummer  
info@sootsinterface.ee  
www.sootsinterface.ee
- EG Ägypten**  
Standard Electric (OMEGA)  
87, Mohamed Farid Street  
Heliopolis  
Cairo  
Telefonnummer +202 26229000  
Faxnummer +202 26221555  
stdelec@rite.com
- ES Spanien**  
Weidmüller, S. A.  
Narcis Monturiol 11-13, Pol. Ind. Sudoeste  
8960 Sant Just Desvern - Barcelona  
Telefonnummer +34 934 803 386  
Faxnummer +34 933 718 055  
weidmuller@weidmuller.es  
www.weidmuller.es
- FI Finnland**  
Weidmüller Suomi,  
Weidmüller Aktiebolagetin  
sivuliike  
Koy Plaza Vivace  
Äyritie 8C  
FI 15100 Vantaa  
Telefonnummer +358 20 7351300  
Faxnummer +358 800 114 667  
asiakaspalvelu@weidmuller.fi  
www.weidmuller.fi
- FR Frankreich**  
Weidmüller E. U. R. L.  
12, Chaussée Jules César  
BP 263 Osny  
95523 Cergy-Pontoise Cedex  
Telefonnummer +33 1 34 24 55 00  
Faxnummer +33 1 34 24 55 01  
mail@weidmuller.fr
- GB Großbritannien**  
Weidmüller Ltd.  
Klippon House  
Centurion Court Office Park,  
Meridian East, Meridian  
Business Park  
Leicester  
LE19 1TP  
Telefonnummer +44 116 282 3470  
Faxnummer +44 116 289 3582  
marketing@weidmuller.co.uk  
www.weidmuller.co.uk
- GE Georgien**  
Bitte kontaktieren Sie  
unser Representative Office  
Rashad Mahmudov  
Aserbaidschan.
- GR Griechenland**  
G.A. Solutions  
Ippokratous 11 Metamorfosi  
144 52 Athen  
Telefonnummer +30 210 2823233  
Faxnummer +30 210 2823233  
info@weidmuller.gr  
www.weidmuller.gr
- GT Guatemala**  
Prestelectro, Prestegard  
Electro, S.A.  
Avenida Petapa 44-22,  
Zona 12  
Guatemala City  
Telefonnummer +502 2442-3346  
Faxnummer +502 2476-8945  
ventas@prestelectro.com
- HK Hong Kong**  
Weidmüller (Hong Kong)  
Limited Co. Ltd.  
Unit 1617, Metropolis Tower  
No. 10 Metropolis Drive,  
Hunghom, Kowloon  
Telefonnummer +852 3154 8088  
Faxnummer +852 31548099  
Info-hk@weidmueller.com.hk
- HR Kroatien**  
ElektroPARTNER d.o.o.  
Slavonska avenija 24/6  
HR-10000 Zagreb  
Telefonnummer +385 (1) 6184 793  
Faxnummer +385 (1) 6184 795  
elektropartner@zg.t-com.hr  
www.elektropartner.hr
- HU Ungarn**  
Weidmüller Kereskedelmi Kft.  
Budapest  
Gubacsi út 6.  
1097  
Telefonnummer +36 1 382 7700  
Faxnummer +36 1 382 7701  
info@weidmueller.hu  
www.weidmueller.hu
- ID Indonesien**  
PT. Nego Electrindo  
Ruko Mega Grosir Cempaka  
Mas Blok 1 No. 20 - 22  
Jakarta 10640  
Telefonnummer +62 21 42882255  
Faxnummer +62 21 42882266  
sales@negoelectrindo.co.id
- IE Irland**  
Bitte kontaktieren Sie  
Weidmüller Ltd.  
Großbritannien
- IL Israel**  
A. U. Shay Ltd.  
23/25, Embar Street  
49222 Petach-Tikva  
P.O. Box 1 00 49  
49222 Petach-Tikva  
Telefonnummer +972 3-923-3601  
Faxnummer +972 3-923-4601  
shay@uriel-shay.com  
www.uriel-shay.com
- ATEKA Ltd.**  
4, Ha Tavor lane Industrial  
area Segula  
49691 Petach-Tikva  
P.O. Box 4710  
Petach-Tikva  
Telefonnummer +972 73-200-1311  
Faxnummer +972 3-924 4245  
marketing@ateka.co.il  
www.ateka.co.il
- IN Indien**  
Repräsentanz Büro  
Weidmüller Electronics India  
Pvt. Ltd.  
12th Lane North Avenue, Opp  
Joggers Park,  
Kalyani Nagar, Pune  
411 006  
Telefonnummer +91 20-41290090  
wmi.pune@weidmueller.in  
www.weidmueller.com
- IS Island**  
Samey Automation Center  
Lyngas 13  
210 Garoabaer  
Telefonnummer +354 510 5200  
Faxnummer +354 5 10 5201  
Samey@samey.is  
www.samey.is
- IT Italien**  
Weidmüller S. r.l.  
Via Albert Einstein 4  
20092 Cinisello  
Balsamo Milano  
Telefonnummer +39 02 660681  
Faxnummer +39 02 6124945  
weidmuller@weidmuller.it  
www.weidmuller.it
- JM Jamaika**  
Bitte kontaktieren Sie  
W Interconnections Inc.  
USA
- JO Jordanien**  
Trans Jordan for Electro  
PO Box 33 06 07  
Amman  
Telefonnummer +962 6 533 2020  
Faxnummer +962 6 533 5800  
transjordan@batelco.jo
- JP Japan**  
Nihon Weidmüller Co. Ltd.  
Sphere Tower Tennoz 2-2-8  
Higashi-Shinagawa,  
Shinagawa-ku  
Tokyo  
140-0002  
Telefonnummer +81 3 6711 5300  
Faxnummer +81 3 6711 5333  
weidmullerjapan@weidmuller.com.jp  
www.weidmuller.co.jp





Alle Weidmüller Adressen sowie Ihren lokalen Ansprechpartner finden Sie im Internet unter: [www.weidmuller.com/countries](http://www.weidmuller.com/countries)

Vertriebsgesellschaft   
 Auslandsvertretung   
 ohne Auslandsvertretung 

Let's connect.

- KE Kenia**  
Bitte kontaktieren Sie Phambili Interface Südafrika
- KR Korea**  
Weidmüller Korea Co. Ltd.  
9th floor, Wonbang B/D  
Samseong 2-Dong, Gangnam-Gu  
Seoul 143-42  
Telefonnummer +82 2-516-0003  
Faxnummer +82 2-516-0090  
info@weidmuller.co.kr  
www.weidmuller.co.kr
- KW Kuwait**  
Kana Controls General Trading & Contracting Co. W. L. L.  
Al Rai Industrial Area, Plot 28-30, St. 31  
13016 Safat  
B.P. 25593  
Telefonnummer +965 4741373  
Faxnummer +965 4741537  
info@kanacontrols.com
- KZ Kasachstan**  
Bitte kontaktieren Sie OOO Weidmüller Russland
- LB Libanon**  
Progress Engineering & Trading Enterprises  
Al Nahr Street  
Beirut 11-1111  
Telefonnummer +961 1 444 664  
Faxnummer +961 1 561 880  
progress@inco.com.lb
- LT Litauen**  
Bitte kontaktieren Sie unser Representative Office Weidmüller Interface GmbH & Co. KG Lettland  
oder  
ELEKTROS IRANGA  
Tinklu g. 29 a  
LT-5319 Panevezys  
Telefonnummer +370 (45) 582 828  
Faxnummer  
info@eliranga.lt
- LU Luxemburg**  
Bitte kontaktieren Sie Weidmüller Benelux B. V. Niederlande
- LV Lettland**  
SIA Abi4  
Daugavgrivas 31b  
Riga, LV-1007  
Telefonnummer +371 674 70999  
Faxnummer +371 676 24562  
abi\_4@tvnet.lv  
Repräsentanz Büro  
Weidmüller Interface GmbH & Co. KG  
Udens str. 12-118  
Riga, LV-1007  
Telefonnummer +371 29254766  
Faxnummer +371 674 65637  
lgonis.rudaks@weidmueller.com  
www.weidmueller.com
- MD Moldawien**  
BERHORD A & D srl  
79/1, str. Milescu Spartaru  
MD-2075 Chisinau  
Moldova  
Telefonnummer +373 (22) 815002  
Faxnummer +373 (22) 815007  
atiuleanu@berhord.com  
www.ad.berhord.com
- ME Montenegro**  
Bitte kontaktieren Sie unser Representative Office Weidmüller Interface GmbH & Co. KG Serbien.
- MG Madagaskar**  
Bitte kontaktieren Sie Phambili Interface Südafrika
- MK Mazedonien**  
Bitte kontaktieren Sie unser Representative Office Weidmüller Interface GmbH & Co. KG Serbien  
oder  
ELEKTRO - SMK doool  
UL. III Makedonska brigada  
b.b.  
1000 Skopje  
Telefonnummer +389 22460295  
Faxnummer  
Elektro-smk@telekabel.net.mk
- MT Malta**  
E. S. S., Electrical Supplies & Services Ltd.  
San Gwakklin Road  
Mriehel  
Telefonnummer +356 21255777  
Faxnummer +356 21255999  
robert.agius@ess.com.mt
- MU Mauritius**  
Mubelo Electrical Ltd.  
Office 26, Gateway building,  
St Jean Road  
Quatre Bornes  
Mauritius  
Telefonnummer +230 4670989  
Faxnummer +230 4654051  
richard.mubelo@orange.mu
- MW Malawi**  
Bitte kontaktieren Sie Phambili Interface Südafrika
- MX Mexiko**  
W Interconnections S. A.  
DE C. V.  
Blvd. Hermanos Serdán 698,  
Col. San Rafael Oriente  
72029 Puebla  
Telefonnummer +52 (222) 268 6227  
Faxnummer +52 (222) 286 6242  
clientes@weidmuller.com.mx
- MY Malaysia**  
Connect Plus Technology Sdn Bhd  
No. 43, Jalan PJS 11/22,  
Bandar Sunway  
46150 Petaling Jaya  
Selangor Darul Ehsan  
Telefonnummer +60 3 5633 7363  
Faxnummer +60 3 5633 6562  
paul@cptech.com.my  
www.cptech.com.my
- MZ Mosambik**  
Bitte kontaktieren Sie Phambili Interface Südafrika
- NA Namibia**  
Bitte kontaktieren Sie Phambili Interface Südafrika
- NG Nigeria**  
Bitte kontaktieren Sie
- NL Niederlande**  
Weidmüller Benelux B. V.  
Franciscusweg 221  
1216 SE Hilversum  
Postfach 1505  
1200 BM Hilversum  
Telefonnummer +31 35 626 12 61  
Faxnummer +31 35 623 20 44  
info@weidmuller.nl  
www.weidmuller.nl
- NO Norwegen**  
Sivilingeniør J.F. Knudtzen AS  
Billingstadsletta 97  
1396 Billingstad  
PO Box 160  
1378 Nesbru  
Telefonnummer +47 66 98 33 50  
Faxnummer +47 66 98 09 55  
firmapost@jfknuudtzen.no  
www.jfknuudtzen.no
- NZ Neuseeland**  
Cuthbert S. Steward Ltd.  
27 Te Puni Street  
Petone  
PO Box 38496  
Wellington Mail Centre 5054  
Telefonnummer (04) 568 6165  
Faxnummer (09) 489 1752  
csl@cuthbertsteward.co.nz  
Cuthbert S. Steward Ltd  
4 Fred Thomas Drive  
Aon Building, Ground Floor,  
South Entry  
Takapuna  
PO Box 100 338  
North Shore City 745  
Telefonnummer (09) 489 1751  
Faxnummer (04) 568 6056  
cslak@cuthbertsteward.co.nz
- OM Oman**  
DAN INTERNATIONAL LLC.  
Ghala St. 111  
BP 2901  
Seeb  
Telefonnummer +968 5036 77  
Faxnummer +968 5037 55  
yedu@danintl.com
- PE Peru**  
IMPEXINCA S.A.C.  
Calle Ortiz de Zevallos No.  
105, Urb. San Antonio  
18  
Lima, Miraflores  
Telefonnummer +51 1 447 5608  
info@impexinca.pe  
www.impexinca.pe  
J & W CIA. S. A.  
Calle 6 Mz. D Lte. 23, Urb.  
Ind. Grimanesa  
01  
Callao  
Telefonnummer +51 1 572 2539  
Faxnummer +51 1 572 0152  
contacto@jwcia.com  
www.jwcia.com
- PH Philippinen**  
Enclosure Systems Specialists Inc.  
2276 Don Chino Roces  
Avenue Extension  
Room 103/105 Narra Building  
1231 Makati City  
Telefonnummer +63 2 813 8580  
Faxnummer +63 2 813 8596  
sales\_encsys@pltdsl.net  
www.enclosuresystemsph.com
- PK Pakistan**  
Automation Controls (Pak)  
Apartment No. 33 C III,  
Chenab Block, Allama Iqbal  
Town  
Lahore  
Telefonnummer +92 42 37809948  
Faxnummer +92 42 37809950  
nadeem@acpак.com.pk  
www.acpак.com.pk
- PL Polen**  
Weidmüller Sp. z o. o.  
ul. Ogrodowa 58  
00-876 Warszawa  
Telefonnummer +48 22 510 09 40  
Faxnummer +48 22 510 09 41  
biuro@weidmuller.com.pl  
www.weidmuller.pl
- PR Puerto Rico**  
Bitte kontaktieren Sie W Interconnections Inc. USA
- PT Portugal**  
Weidmüller Sistemas de Interface S. A.  
Estrada Outeiro Polima, R.  
Augusto Dias da Silva, Lote B - Esc. 2  
São Domingos de Rana  
2785-515 Abóboda  
Telefonnummer +351 214 459 191  
Faxnummer +351 214 455 871  
weidmuller@weidmuller.pt  
www.weidmuller.pt
- PY Paraguay**  
Bitte kontaktieren Sie CPI SA Argentinien
- QA Katar**  
Petroleum Technology Co. W.L.L.  
PO Box 16069  
5th Floor Toyota tower  
Telefonnummer +974 444 19603  
Faxnummer +974 444 19604  
petrotec@qatar.net.qa  
www.petrotec.com.qa
- RO Rumänien**  
Repräsentanz Büro  
Weidmüller Interface GmbH & Co. KG  
Ionescu Crum Street, No. 1, 1st Tower, 1st Floor,  
Office 4  
500446 Brasov - Brasov  
Business Park  
Telefonnummer +40 (268) 446 222  
Faxnummer +40 (262) 205 410  
claudiu.totea@weidmueller.com  
www.weidmueller.com
- RS Serbien**  
Repräsentanz Büro  
Weidmüller Interface GmbH & Co. KG  
Ustanička 189, III sprat  
lokal 7a  
11050 Beograd  
Telefonnummer +381 112885274  
Faxnummer +381 112885274  
zoran.rabrenovic@weidmueller.com  
TeLa Elektrik d.o.o.  
Ul. Dr. Drage Ljočić 6  
Beograd  
Telefonnummer +381 11 2772 850  
office@tela.rs  
www.tela.rs
- RU Russland**  
OOO Weidmüller  
Warschavskoye highway, 25  
A, bld. 6  
Moskau  
117105  
Telefonnummer +7 (495) 771-69-40  
Faxnummer +7 (495) 771-69-41  
Info@weidmueller.ru  
www.weidmueller.ru
- SA Saudi-Arabien**  
Al Abdulkarim Holding Co.  
P.O. Box 4  
Dammam 31411  
Telefonnummer +966 3 8337110  
Faxnummer +966 3 8829547  
E-Mail salehsk@akh.com.sa  
www.weidmueller.ae  
Saudi Electric Supply Company (SESCO)  
P.O. Box 32 98  
Al Khobar 31952  
Telefonnummer +966 3 8829546 Ext. 3030  
Faxnummer  
E-Mail Safdar.Malik@sescogex.com  
www.sesco-gex.com
- SE Schweden**  
Weidmüller AB  
Axel Danielssons väg 271  
BOX 3 1025  
SE-200 49 Malmö  
Telefonnummer +46 77-143 00 44  
Faxnummer +46 40-37 48 60  
info@weidmuller.se  
www.weidmuller.se
- SG Singapur**  
Weidmüller Pte. Ltd.  
70 Bendemeer Road  
# 04-03 Luzerne Building  
Singapore 339940  
Telefonnummer +65 6841 5311  
Faxnummer +65 6841 5377  
info@weidmuller.com.sg  
www.weidmuller.com.sg
- SI Slowenien**  
Elektrospoj d. o. o.  
Stegne 27  
SI-1000 Ljubljana  
Ostređnjelosovska  
Telefonnummer +386 1 511 3810  
Faxnummer +386 1 511 1604  
info@elektrospoj.si  
www.elektrospoj.si
- SK Slowakei**  
ELEKTRIS s.r.o.  
Elektrárėnská 1  
831 04 Bratislava  
Telefonnummer +421 2/4920 0113  
Faxnummer +421 2/4920 0119  
bratislava@elektris.sk
- SV El Salvador**  
Prestegard Norte  
11 Avenida Electro No. 240  
Edificio Salazar No. 2  
San Salvador  
Telefonnummer +503 2271 1690  
Faxnummer +503 2221 3851  
prestegard@navegante.com.sv
- SY Syrien**  
Bitte kontaktieren Sie Weidmüller Middle East FZE Vereinigte Arabische Emirate
- SZ Swasiland**  
Bitte kontaktieren Sie Phambili Interface Südafrika
- TH Thailand**  
Pisanu Engineering Co. Ltd.  
Kwang Dingaeng, Khet  
Dingaeng  
800/2 Soi Trakulsuk, Asoke-  
dindaeng Road  
Dindaeng, Bangkok  
10400  
Telefonnummer +66 2 248 2896  
Faxnummer +662 105 6301  
ecsales@pisanu.co.th  
www.pisanu.co.th  
Repräsentanz Büro  
Weidmüller Pte. Ltd.  
37/F, Sathorn Square Building  
98 North Sathorn Road  
Bangkok, Silom Bangrak  
10500  
Telefonnummer +66 2 105 6300  
Faxnummer +66 2 642 9220  
info@weidmuller.com.sg
- TN Tunesien**  
Bitte kontaktieren Sie Weidmüller E. U. R. L. Frankreich
- TR Türkei**  
Weidmüller Elektronik Ticaret Ltd. Sirketi  
Kavacık Mah. Orhan Veli Kanik  
Cadidesi 9/1  
34810 Beykoz / Istanbul  
Telefonnummer +90 (216) 537 10 70  
Faxnummer +90 (216) 537 10 77  
info@weidmuller.com.tr  
www.weidmuller.com.tr

# Adressen weltweit

Let's connect.

**TW Taiwan**  
Weidmuller (Hong Kong)  
Limited  
No. 3, Lane 89, ChungYang  
N. Rd.  
24148 SanChuang City,  
Taipei  
Telefonnummer +886 921  
949 751  
roy.lin@weidmueller.com.hk

**TZ Tansania**  
Bitte kontaktieren Sie  
Phambili Interface  
Südafrika

**UA Ukraine**  
LLC WM UKRAINE  
Levanevskogo str. 6  
Kiev  
3058  
Telefonnummer +38 044  
490 32 48  
Faxnummer  
info@wm-ua.com.ua  
wm-ua.com.ua/  
  
Repräsentanz Büro  
Weidmueller Interface GmbH  
& Co. KG  
Z. office 303  
7-D, Zdolbunivska str.  
Kiev, 2081  
Telefonnummer (Mobil) +38  
050 440 25 24  
info.ua@weidmueller.com

**US USA**  
W Interconnections Inc.  
821 Southlake Boulevard  
Richmond Virginia 23236  
Telefonnummer +1 (804)  
794-2877  
Faxnummer +1 (804) 379-  
2593  
info@weidmuller.com  
www.weidmuller.com

**UY Uruguay**  
REWO Uruguay S. A.  
AV. Bolivia 2001Esq  
Rocafuerte  
11300 Carrasco Montevideo  
Telefonnummer +598 2604  
8439  
Faxnummer +598 2604  
8439  
rewo@rewoouruguay.com.uy

**UZ Usbekistan**  
Bitte kontaktieren Sie  
OOO Weidmüller  
Russland

**VE Venezuela**  
Somerinca C. A.  
Corazon de Jesus - 3ra  
Transversal con calle el  
Carmen- Los Dos Caminos  
Caracas 1070-A  
Telefonnummer +58  
2122352748  
Faxnummer +58  
2122399341  
klocmoeller@cantv.net  
www.somerinca.com

**VN Vietnam**  
AUMI Industrial Equipment &  
Automation Company Limited  
E1, La Thanh Hotel  
218 Doi Can Street  
Lieu Giai Ward, Ba Dinh  
District  
Hanoi City  
Telefonnummer +84 4  
37628601  
Faxnummer +84 4  
62661391  
aumi@aumi.com.vn  
www.aumi.com.vn  
  
Repräsentanz Büro  
Weidmüller Pte. Ltd.  
Level 16 Saigon Tower  
Building  
29 Le Duan Street  
District 1  
Ho Chi Minh  
Telefonnummer +848 3520  
7717  
Faxnummer +848 3520  
7604  
info@weidmuller.com.sg

**ZA Südafrika**  
Phambili Interface  
PO Box 193  
1609 Johannesburg, Edenvale  
5 Bundo Road, Sebenza  
1610 Johannesburg  
Telefonnummer +27 (11)  
4521930  
Faxnummer  
info@weidmuller.co.za  
www.weidmuller.co.za

**ZM Sambia**  
Bitte kontaktieren Sie  
Phambili Interface  
Südafrika

**ZW Simbabwe**  
Bitte kontaktieren Sie  
Phambili Interface  
Südafrika

