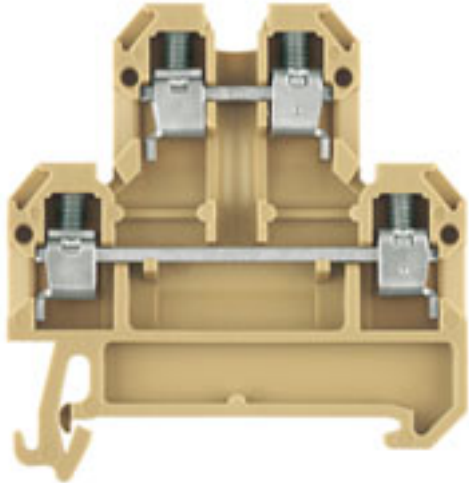


SAK Series
DK 4/35

Weidmüller Interface GmbH & Co. KG
Klingenbergstraße 16
D-32758 Detmold
Germany
Fon: +49 5231 14-0
Fax: +49 5231 14-292083
www.weidmueller.com



The two-tier modular terminals can feed two potentials in one terminal.

General ordering data

Type	DK 4/35
Order No.	0527660000
GTIN (EAN)	4008190082130
Qty.	100 pc(s).

SAK Series
DK 4/35

Weidmüller Interface GmbH & Co. KG
 Klingenbergstraße 16
 D-32758 Detmold
 Germany
 Fon: +49 5231 14-0
 Fax: +49 5231 14-292083
 www.weidmueller.com

Technical data
Dimensions and weights

Length	50 mm	Width	6 mm
Height	60.5 mm	Height of lowest version	60.5 mm
Net weight	11.77 g		

Temperatures

Operating temperature		Storage temperature	
Continuous operating temp., min.	-50 °C	Continuous operating temp., max.	100 °C

Additional technical data

Explosion-tested version	No	Number of similar terminals	1
Open sides	right	Type of mounting	Snap-on
Version	Screw connection, for screwable cross-connection, One end without connector		

CSA ratings data

Certificate No. (CSA)	12400-130	Voltage size C (CSA)	300 V
Current size C (CSA)	25 A	Wire cross section max. (CSA)	12 AWG
Wire cross section min. (CSA)	26 AWG		

Clampable wires (additional connection)

Conductor cross-section, flexible plus plastic collar DIN 46228/1, further connection, min.	0.5 mm ²	Conductor cross-section, flexible plus plastic collar DIN 46228/1, further connection, max.	2.5 mm ²
---	---------------------	---	---------------------

Clampable wires (rated connection)

Type of connection	Screw connection	Stripping length	8 mm
Blade size	0.6 x 3.5 mm	Connection direction	on side
Number of connections	4	Clamping range, rated connection, min.	0.13 mm ²
Clamping range, rated connection, max.	6 mm ²	Clamping screw	M 3
Tightening torque, min.	0.5 Nm	Tightening torque, max.	0.8 Nm
Torque level with DMS electric screwdriver	2	Gauge to IEC 60947-1	A3
Wire connection cross section, solid core, max. rated connection	0.5 mm ²	Wire connection cross section, solid core max. rated connection	6 mm ²
Wire connection cross section, stranded, rated connection, min.	0.5 mm ²	Wire connection cross section, stranded, rated connection, max.	4 mm ²
Wire connection cross section, finely stranded, max.	4 mm ²	Wire connection cross-section, finely stranded, min.	0.5 mm ²
Wire connection cross section, finely stranded with wire-end ferrules DIN 46228/1, rated connection, min.	0.5 mm ²	Wire connection cross section, finely stranded with wire-end ferrules DIN 46228/1, rated connection, max.	2.5 mm ²
Cross-section for connected conductor, finely stranded with wire-end ferrules and plastic collars DIN 46228/4, rated connection, min.	0.5 mm ²	Wire connection cross-section, finely stranded with wire-end ferrules and plastic collars DIN 46228/4, rated connection, max.	2.5 mm ²
Twin wire-end ferrules, min.	0.5 mm ²	Twin wire-end ferrules, max.	1.5 mm ²
Wire connection cross section AWG, min.	AWG 26	Wire connection cross section AWG, max.	AWG 12

SAK Series
DK 4/35

Weidmüller Interface GmbH & Co. KG
 Klingenbergstraße 16
 D-32758 Detmold
 Germany
 Fon: +49 5231 14-0
 Fax: +49 5231 14-292083
 www.weidmueller.com

Technical data**Rated data**

Rated cross-section	4 mm ²	Rated voltage	500 V
Rated impulse withstand voltage	6 kV	Rated current	32 A
Current at maximum wires	41 A	Standards	IEC 60947-7-1
Pollution severity	3		

UL ratings data

Certificate No. (UR)	E60693VOL1SEC3	Voltage size C (UR)	300 V
Current size C (UR)	27 A	Conductor size Factory wiring max. (UR)	12 AWG
Conductor size Factory wiring min. (UR)	26 AWG	Conductor size Field wiring max. (UR)	12 AWG

Material data

Material	PA 66	Colour	Beige
UL 94 flammability rating	V-2		

System specifications

Product family	SAK Series	Type of connection	Screw connection
Connection direction	on side	Number of levels	2
Number of connections	4	No. of clamping points per level	2
Levels cross-connected internally	No	Mounting rail	TS 35
End cover plate required	Yes		

Classifications

ETIM 2.0	EC000897	ETIM 3.0	EC000897
UNSPSC	30-21-18-11	eClass 4.1	27-14-11-20
eClass 5.1	27-14-11-20	eClass 6.2	27-14-11-20
eClass 7.1	27-14-11-27		

Product information

Descriptive text technical data With twin ferrules ZH 0.5 to ZH 2.5, rated voltage is 690 V.

Approvals

Approvals



ROHS

Conform